

Swivel Flange



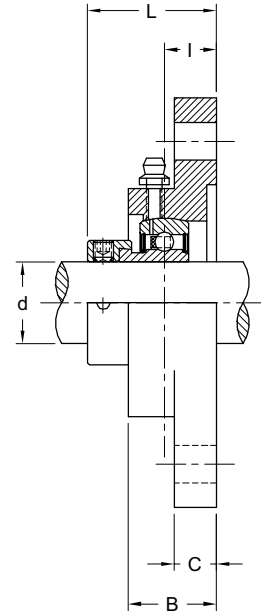
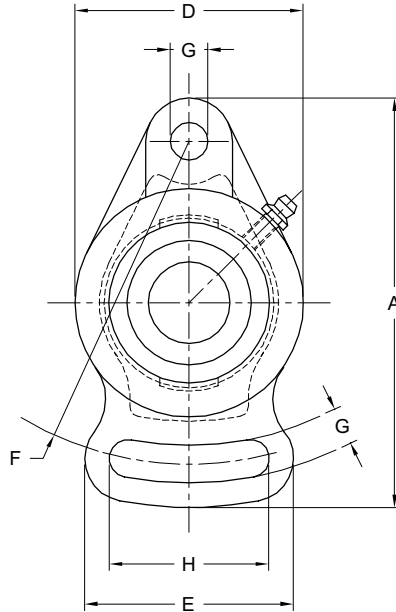
WSFL 200 Gold Series

Normal Duty Bearing

Cast Iron Housing

Eccentric Collar Lock

Metric and Inch Bores



Part No.	Shaft Size d		Dimensions (mm) (in)										Bearing No.	Housing No.	Wt. kg
	mm	in	A	B	C	D	E	F	G	H	I	L			
WSFL204 x 20MM	20		112	26	12	60	50	90	11	40	12.8	36.3	SA204 x 20MM	WSFL204	0.6
WSFL204 x 3/4		3/4	4.41	1.02	0.47	2.36	1.97	3.54	0.43	1.57	0.50	1.43	SA204 x 3/4		
WSFL205 x 25MM	25		124	27	13	70	65	96	13	49	14.4	37.9	SA205 x 25MM	WSFL205	0.7
WSFL205 x 7/8		7/8	4.88	1.06	0.51	2.76	2.56	3.78	0.51	1.93	0.57	1.49	SA205 x 7/8		
WSFL205 x 15/16		15/16											SA205 x 15/16		
WSFL205 x 1		1											SA205 x 1		
WSFL206 x 30MM	30		141	31	14	80	68	117	13	53	16.1	42.8	SA206 x 30MM	WSFL206	1.0
WSFL206 x 1-1/8		1-1/8	5.55	1.22	0.55	3.15	2.67	4.60	0.51	2.09	0.63	1.69	SA206 x 1-1/8		
WSFL206 x 1-3/16		1-3/16											SA206 x 1-3/16		
WSFL206 x 1-1/4		1-1/4											SA206 x 1-1/4		
WSFL207 x 35MM	35		155	34	15	90	75	128	15	60	17.6	47.0	SA207 x 35MM	WSFL207	1.4
WSFL207 x 1-1/4		1-1/4	6.10	1.34	0.59	3.54	2.95	5.04	0.59	2.36	0.69	1.85	SA207 x 1-1/4		
WSFL207 x 1-3/8		1-3/8											SA207 x 1-3/8		
WSFL207 x 1-7/16		1-7/16											SA207 x 1-7/16		
WSFL208 x 40MM	40		171	36	16	100	84	142	15	69	19.1	51.8	SA208 x 40MM	WSFL208	1.7
WSFL208 x 1-1/2		1-1/2	6.73	1.42	0.63	3.94	3.31	5.59	0.59	2.72	0.75	2.04	SA208 x 1-1/2		
WSFL209 x 45MM	45		180	38	18	111	90	148	17	70	22	54.7	SA209 x 45MM	WSFL209	1.0
WSFL209 x 1-5/8		1-5/8	7.09	1.50	0.71	4.37	3.54	5.83	0.67	2.76	0.87	2.15	SA209 x 1-5/8		
WSFL209 x 1-11/16		1-11/16											SA209 x 1-11/16		
WSFL209 x 1-3/4		1-3/4											SA209 x 1-3/4		
WSFL210 x 50MM	50		190	40	18	116	94	157	17	74	22	54.7	SA210 x 50MM	WSFL210	1.4
WSFL210 x 1-7/8		1-7/8	7.48	1.57	0.71	4.57	3.70	6.18	0.67	2.91	0.87	2.15	SA210 x 1-7/8		
WSFL210 x 1-15/16		1-15/16											SA210 x 1-15/16		
WSFL210 x 2		2											SA210 x 2		

Note: Set Screw and Adapter Lock Bearings also available from stock.

Swivel Flange



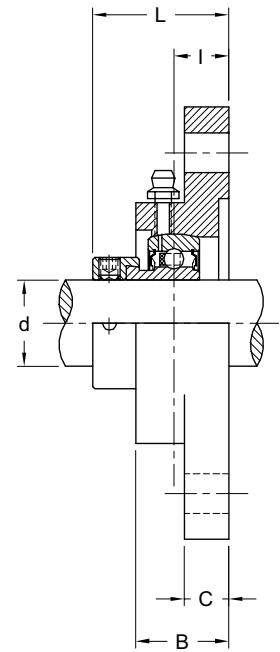
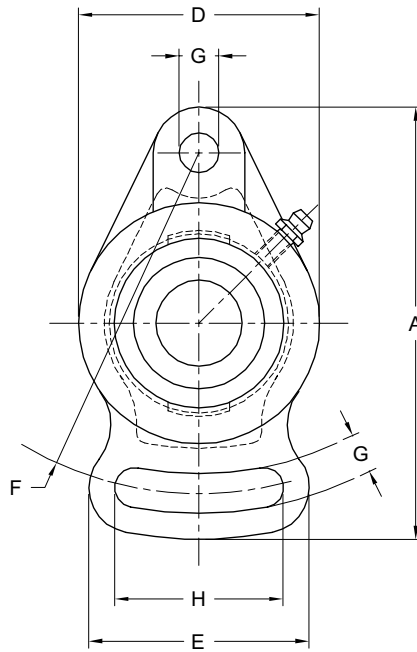
WSFL 200 Silver Series

Normal Duty Bearing

Cast Iron Housing

Eccentric Collar Lock

Metric and Inch Bores



Part No.	Shaft Size d		Dimensions (mm) (in)										Bearing No.	Housing No.	Wt. kg
	mm	in	A	B	C	D	E	F	G	H	I	L			
WSFL204-20MM	20		112	26	12	60	50	90	11	40	12.8	36.8	SA204-20MM	WSFL204	0.6
WSFL204-12		3/4	4.41	1.02	0.47	2.36	1.97	3.54	0.43	1.57	0.50	1.45	SA204-12		
WSFL205-25MM	25		124	27	13	70	65	96	13	49	14.4	37.9	SA205-25MM	WSFL205	0.7
WSFL205-14		7/8	4.88	1.06	0.51	2.76	2.56	3.78	0.51	1.93	0.57	1.49	SA205-14		
WSFL205-15		15/16											SA205-15		
WSFL205-16		1											SA205-16		
WSFL206-30MM	30		141	31	14	80	68	117	13	53	16.1	43.8	SA206-30MM	WSFL206	1.0
WSFL206-18		1-1/8	5.55	1.22	0.55	3.15	2.67	4.60	0.51	2.09	0.63	1.72	SA206-18		
WSFL206-19		1-3/16											SA206-19		
WSFL206-20		1-1/4											SA206-20		
WSFL207-35MM	35		155	34	15	90	75	128	15	60	17.6	48.0	SA207-35MM	WSFL207	1.4
WSFL207-20		1-1/4	6.10	1.34	0.59	3.54	2.95	5.04	0.59	2.36	0.69	1.89	SA207-20		
WSFL207-22		1-3/8											SA207-22		
WSFL207-23		1-7/16											SA207-23		
WSFL208-40MM	40		171	36	16	100	84	142	15	69	19.1	53.8	SA208-40MM	WSFL208	1.7
WSFL208-24		1-1/2	6.73	1.42	0.63	3.94	3.31	5.59	0.59	2.72	0.75	2.12	SA208-24		
WSFL209-45MM	45		180	38	18	111	90	148	17	70	22	56.2	SA209-45MM	WSFL209	1.0
WSFL209-26		1-5/8	7.09	1.50	0.71	4.37	3.54	5.83	0.67	2.76	0.87	2.21	SA209-26		
WSFL209-27		1-11/16											SA209-27		
WSFL209-28		1-3/4											SA209-28		
WSFL210-50MM	50		190	40	18	116	94	157	17	74	22	55.7	SA210-50MM	WSFL210	1.4
WSFL210-30		1-7/8	7.48	1.57	0.71	4.57	3.70	6.18	0.67	2.91	0.87	2.19	SA210-30		
WSFL210-31		1-15/16											SA210-31		
WSFL210-32		2											SA210-32		

Note: Set Screw and Adapter Lock Bearings also available from stock.