

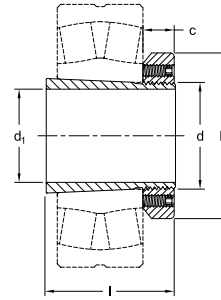
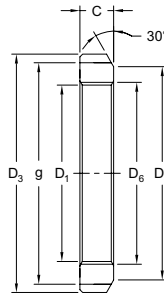
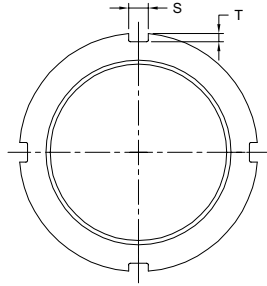
Metric Lock Nuts



Standard & Mounting Screw Type

KM Series KML Series

Locknut with Mounting Screws



Standard Locknut

Mounting screws simplify bearing mounting with a Torque Wrench rather than a Spanner Wrench

KM Series					KML Series				Dimensions					
Lock Nut Part No.	Part No. Locknut w/ Mounting Screws	D ₃	D ₄	g	Lock Nut Part No.	D ₃	D ₄	g	D ₁	C	S	T	D ₆	Wt. kg
KM00	—	18	13	14	—	—	—	—	M10 x 0.75	4	3	2	10.5	0.005
KM01	—	22	17	18	—	—	—	—	M12 x 1.00	4	3	2	12.5	0.007
KM02	—	25	21	21	—	—	—	—	M15 x 1.00	5	4	2	15.5	0.01
KM03	—	28	24	24	—	—	—	—	M17 x 1.00	5	4	2	17.5	0.01
KM04	—	32	26	26	—	—	—	—	M20 x 1.00	6	4	2	20.5	0.02
KM05	—	38	32	34	—	—	—	—	M25 x 1.50	7	5	2	25.8	0.03
KM06	—	45	38	41	—	—	—	—	M30 x 1.50	7	5	2	30.8	0.04
KM07	—	52	44	48	—	—	—	—	M35 x 1.50	8	5	2	35.8	0.05
KM08	—	58	50	53	—	—	—	—	M40 x 1.50	9	6	2.5	40.8	0.09
KM09	—	65	56	60	—	—	—	—	M45 x 1.50	10	6	2.5	45.8	0.12
KM10	—	70	61	65	—	—	—	—	M50 x 1.50	11	6	2.5	50.8	0.15
KM11	—	75	67	69	—	—	—	—	M55 x 2.00	11	7	3	56.0	0.16
KM12	—	80	73	74	—	—	—	—	M60 x 2.00	11	7	3	61.0	0.17
KM13	—	85	79	79	—	—	—	—	M65 x 2.00	12	7	3	66.0	0.20
KM14	—	95	85	85	—	—	—	—	M70 x 2.00	12	8	3.5	71.0	0.24
KM15	—	98	90	91	—	—	—	—	M75 x 2.00	13	8	3.5	76.0	0.29
KM16	—	105	95	98	—	—	—	—	M80 x 2.00	15	8	3.5	81.0	0.40
KM17	—	110	102	103	—	—	—	—	M85 x 2.00	16	8	3.5	86.0	0.45
KM18	—	120	108	112	—	—	—	—	M90 x 2.00	16	10	4	91.0	0.56
KM19	—	125	113	117	—	—	—	—	M95 x 2.00	17	10	4	96.0	0.66
KM20	—	130	120	122	—	—	—	—	M100 x 2.00	18	10	4	101.0	0.70
KM21	—	140	126	130	—	—	—	—	M105 x 2.00	18	12	5	106.0	0.85
KM22	KM22-MS	145	133	135	—	—	—	—	M110 x 2.00	19	12	5	111.0	0.97
KM23	—	150	137	140	—	—	—	—	M115 x 2.00	19	12	5	116.0	1.01
KM24	KM24-MS	155	138	145	KML24	145	135	135	M120 x 2.00	20	12	5	121.0	1.08
KM25	—	160	148	150	—	—	—	—	M125 x 2.00	21	12	5	126.0	1.19
KM26	KM26-MS	165	149	155	KML26	155	145	145	M130 x 2.00	21	12	5	131.0	1.25
KM27	—	175	160	163	—	—	—	—	M135 x 2.00	22	14	6	136.0	1.55
KM28	KM28-MS	180	160	168	KML28	165	155	153	M140 x 2.00	22	14	6	141.0	1.56
KM29	—	190	171	178	—	—	—	—	M145 x 2.00	24	14	6	146.0	2.00
KM30	KM30-MS	195	172	183	KML30	180	170	168	M150 x 2.00	24	14	6	151.0	2.03
KM31	—	200	182	186	—	—	—	—	M155 x 3.00	25	16	7	156.5	2.21
KM32	KM32-MS	210	182	196	KML32	190	180	176	M160 x 3.00	25	16	7	161.5	2.59
KM33	—	210	193	196	—	—	—	—	M165 x 3.00	26	16	7	166.5	2.43
KM34	KM34-MS	220	193	206	KML34	200	190	186	M170 x 3.00	26	16	7	171.5	2.80
KM36	KM36-MS	230	203	214	KML36	210	200	194	M180 x 3.00	27	18	8	181.5	3.07
KM38	KM38-MS	240	214	224	KML38	220	210	204	M190 x 3.00	28	18	8	191.5	3.39
KM40	KM40-MS	250	226	234	KML40	240	222	224	M200 x 3.00	29	18	8	201.5	3.69

Note: Other sizes available on request.

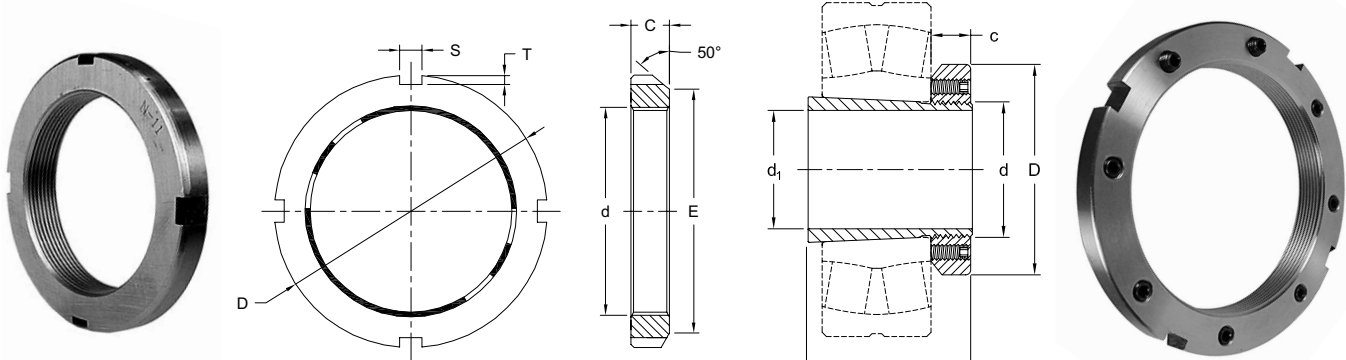
Dimensions in mm

Inch Lock Nuts



Standard & with Mounting Screws
N00 Series
AN00 Series

Locknut with Mounting Screws



Standard Locknut

Locknut w/ Mounting Screws allows easy bearing mounting as screws are tightened

Part No. Standard	Part No. with Mounting Screws	Threads		D	E	C	S min.	T max.	Wt. lb
		Major Dia. d	No. per Inch						
N00	—	0.391	32	0.755	0.625	0.229	0.120	0.073	0.01
N01	—	0.469	32	0.880	0.719	0.323	0.120	0.073	0.02
N02	—	0.586	32	1.005	0.813	0.323	0.120	0.104	0.02
N03	—	0.664	32	1.130	0.938	0.354	0.120	0.104	0.03
N04	—	0.781	32	1.380	1.125	0.385	0.178	0.104	0.04
N05	—	0.969	32	1.568	1.281	0.416	0.178	0.104	0.05
N06	—	1.173	18	1.755	1.500	0.416	0.178	0.104	0.10
N07	—	1.376	18	2.068	1.813	0.448	0.178	0.104	0.11
N08	—	1.563	18	2.255	2.000	0.448	0.240	0.104	0.19
N09	—	1.767	18	2.536	2.281	0.448	0.240	0.104	0.36
N10	—	1.967	18	2.693	2.438	0.510	0.240	0.104	0.33
N11	—	2.157	18	2.974	2.656	0.510	0.240	0.135	0.35
N12	—	2.360	18	3.161	2.844	0.541	0.240	0.135	0.38
N13	—	2.548	18	3.380	3.063	0.573	0.240	0.135	0.45
N14	—	2.751	18	3.630	3.313	0.573	0.240	0.135	0.53
AN15	—	2.933	12	3.880	3.563	0.604	0.360	0.135	0.63
AN16	—	3.137	12	4.161	3.844	0.604	0.360	0.135	0.88
AN17	—	3.340	12	4.411	4.031	0.635	0.360	0.166	0.99
AN18	—	3.527	12	4.661	4.281	0.698	0.360	0.166	1.23
AN19	—	3.730	12	4.943	4.563	0.729	0.360	0.166	1.45
AN20	AN20-MS	3.918	12	5.193	4.813	0.760	0.360	0.166	1.54
AN21	—	4.122	12	5.443	5.000	0.760	0.485	0.198	1.86
AN22	AN22-MS	4.325	12	5.724	5.281	0.791	0.485	0.198	2.13
AN24	AN24-MS	4.716	12	6.130	5.688	0.823	0.485	0.198	2.38
AN26	AN26-MS	5.106	12	6.755	6.188	0.885	0.610	0.260	2.76
AN28	AN28-MS	5.497	12	7.099	6.531	0.948	0.610	0.360	3.44
AN30	AN30-MS	5.888	12	7.693	7.063	0.979	0.610	0.391	4.48
AN32	AN32-MS	6.284	8	8.068	7.438	1.041	0.610	0.291	5.71
AN34	AN34-MS	6.659	8	8.661	8.031	1.073	0.610	0.291	6.17
AN36	AN36-MS	7.066	8	9.068	8.375	1.104	0.735	0.323	6.77
AN38	AN38-MS	7.472	8	9.474	8.781	1.135	0.735	0.323	7.47
AN40	AN40-MS	7.847	8	9.849	9.156	1.198	0.735	0.323	8.14
AN44	AN44-MS	8.628	8	11.005	9.843	1.260	0.980	0.510	11.5

Note: Other sizes available on request.

Dimensions in inches