

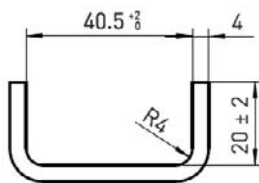
# Single Profiles

## Standard Series



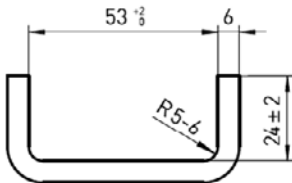
All profiles from 0Nb thru 8Nb are from S450 J2 Modified in lengths to 12 meters. Longer lengths are available on request. PTI typically stocks 6 meter lengths for the ease of handling and will provide cut to length on request.

The Nb Series offers higher load capacities. The radial clearance between the bearing and profile is approximately 1mm for the standard profile. For reduced radial clearance, see Precision Bearings and Profiles.



**Part No.: W-A** Standard Profile. Wt. 2.6 kg/m

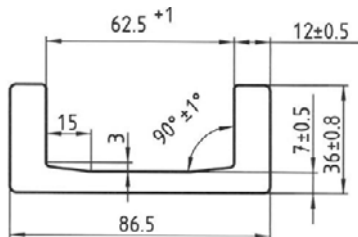
Area: 3.3cm<sup>2</sup>      ey: 0.8cm  
 Wx: 4.4cm<sup>3</sup>      lx: 10.6cm<sup>4</sup>  
 Wy: 1.0cm<sup>3</sup>      ly: 1.7cm<sup>4</sup>



**Part No.: W-S** Standard Profile. Wt. 5.3 kg/m

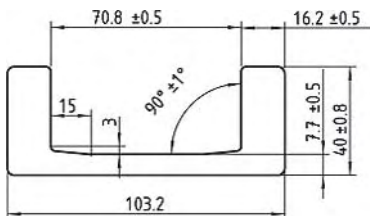
Area: 6.4cm<sup>2</sup>      ey: 1.0cm  
 Wx: 11.9cm<sup>3</sup>      lx: 35.4cm<sup>4</sup>  
 Wy: 2.5cm<sup>3</sup>      ly: 5.0cm<sup>4</sup>

Also available in Stainless



**Part No.: W-0Nb** Standard Profile. Wt. 10.5 kg/m

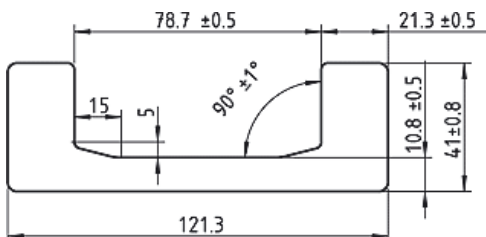
Area: 13.4cm<sup>2</sup>      ey: 1.3cm  
 Wx: 32cm<sup>3</sup>      lx: 137cm<sup>4</sup>  
 Wy: 6.7cm<sup>3</sup>      ly: 15.4cm<sup>4</sup>



**Part No.: W-1Nb** Standard Profile. Wt. 14.8 kg/m

Area: 18.8cm<sup>2</sup>      ey: 1.5cm  
 Wx: 53cm<sup>3</sup>      lx: 273cm<sup>4</sup>  
 Wy: 11cm<sup>3</sup>      ly: 27cm<sup>4</sup>

Also available in Stainless



**Part No.: W-2Nb** Standard Profile. Wt. 20.9 kg/m

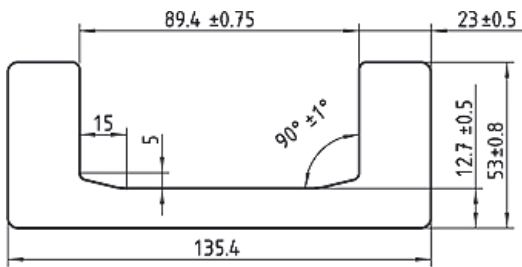
Area: 26.6cm<sup>2</sup>      ey: 1.5cm  
 Wx: 81cm<sup>3</sup>      lx: 493cm<sup>4</sup>  
 Wy: 15cm<sup>3</sup>      ly: 38cm<sup>4</sup>

Also available in Stainless

# Single Profiles

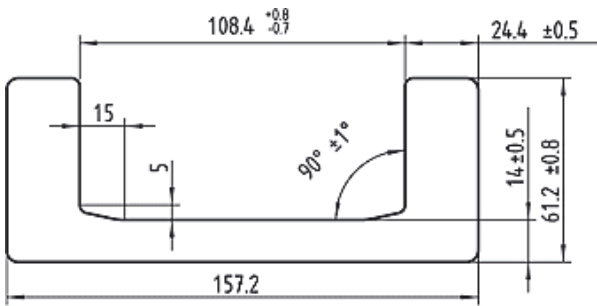


## Standard Series



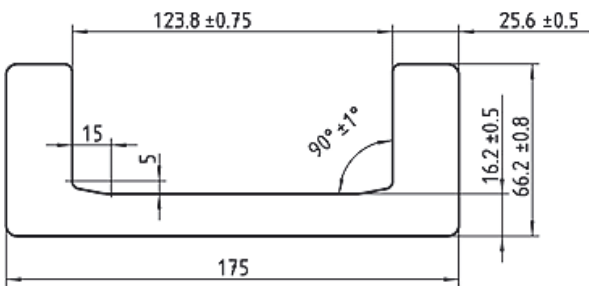
**Part No.: W-3Nb** Standard Profile. Wt. 28.6 kg/m

Area: 36.4cm<sup>2</sup>      ey: 2.0cm  
 Wx: 128cm<sup>3</sup>      lx: 865cm<sup>4</sup>  
 Wy: 27cm<sup>3</sup>      ly: 89cm<sup>4</sup>



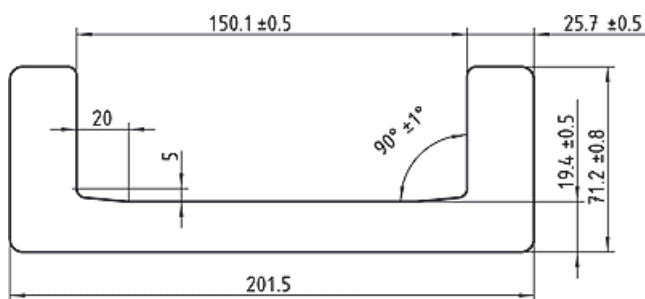
**Part No.: W-4Nb** Standard Profile. Wt. 36.0 kg/m

Area: 45.7cm<sup>2</sup>      ey: 2.2cm  
 Wx: 190cm<sup>3</sup>      lx: 1494cm<sup>4</sup>  
 Wy: 39cm<sup>3</sup>      ly: 150cm<sup>4</sup>



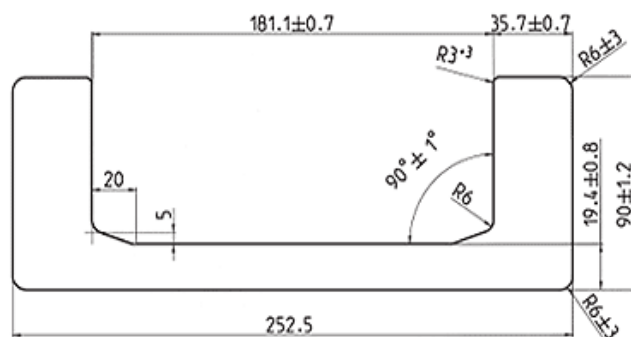
**Part No.: W-5Nb** Standard Profile. Wt. 42.8 kg/m

Area: 54.6cm<sup>2</sup>      ey: 1.9cm  
 Wx: 250cm<sup>3</sup>      lx: 2185cm<sup>4</sup>  
 Wy: 48cm<sup>3</sup>      ly: 205cm<sup>4</sup>



**Part No.: W-6Nb** Standard Profile. Wt. 52.3 kg/m

Area: 66.6cm<sup>2</sup>      ey: 2.0cm  
 Wx: 340cm<sup>3</sup>      lx: 3423cm<sup>4</sup>  
 Wy: 57cm<sup>3</sup>      ly: 270cm<sup>4</sup>



**Part No.: W-8Nb** Standard Profile. Wt. 78.7 kg/m

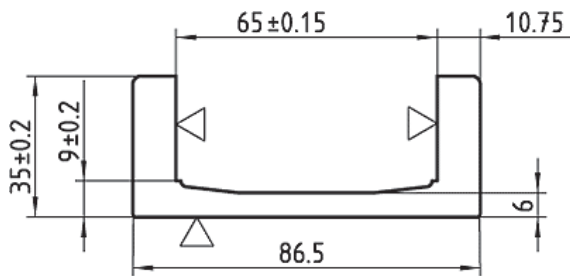
Area: 100.1cm<sup>2</sup>      ey: 2.68cm  
 Wx: 681.6cm<sup>3</sup>      lx: 8605.4cm<sup>4</sup>  
 Wy: 125.1cm<sup>3</sup>      ly: 721cm<sup>4</sup>

# Single Profiles

## Precision Series

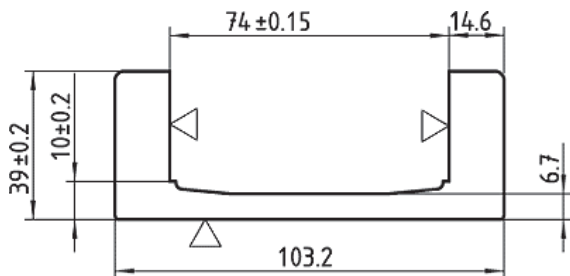


All Precision profiles are made from high-quality steel S450 J2 Modified. They are fine straightened and sand blasted, ready to install. Typical stock production length is 12 meters. Longer lengths are available on request. The bearing contact surfaces are machined in one continuous machine operation for accuracy. Profiles can be machined according to customer drawings as well, and include mounting holes as shown. Lengths as requested to 50ft are possible.



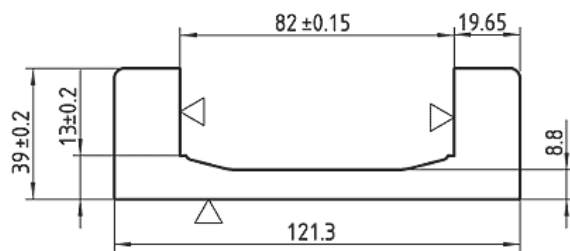
**Part No.: W-PR 0Nb** Precision Profile. Wt. 9.4 kg/m

Area: 11.8cm<sup>2</sup>      ey: 1.2cm  
 Wx: 28.3cm<sup>3</sup>      lx: 122.6cm<sup>4</sup>  
 Wy: 5.2cm<sup>3</sup>      ly: 12.5cm<sup>4</sup>



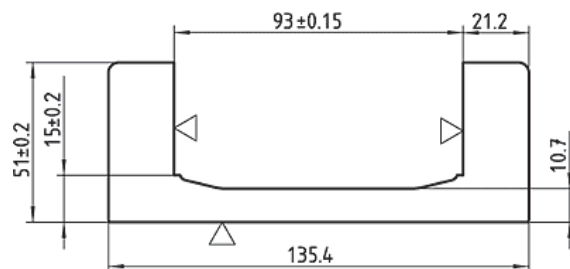
**Part No.: W-PR 1Nb** Precision Profile. Wt. 13.4 kg/m

Area: 16.8cm<sup>2</sup>      ey: 1.43cm  
 Wx: 48cm<sup>3</sup>      lx: 249cm<sup>4</sup>  
 Wy: 8.9cm<sup>3</sup>      ly: 22.9cm<sup>4</sup>



**Part No.: W-PR 2Nb** Precision Profile. Wt. 18.3 kg/m

Area: 23.3cm<sup>2</sup>      ey: 1.4cm  
 Wx: 73.5cm<sup>3</sup>      lx: 446cm<sup>4</sup>  
 Wy: 11.4cm<sup>3</sup>      ly: 30.3cm<sup>4</sup>

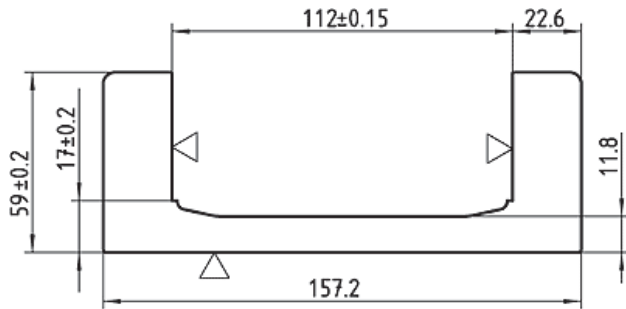


**Part No.: W-PR 3Nb** Precision Profile. Wt. 25.4 kg/m

Area: 32.4cm<sup>2</sup>      ey: 1.92cm  
 Wx: 117.3cm<sup>3</sup>      lx: 795cm<sup>4</sup>  
 Wy: 21.8cm<sup>3</sup>      ly: 74.4cm<sup>4</sup>

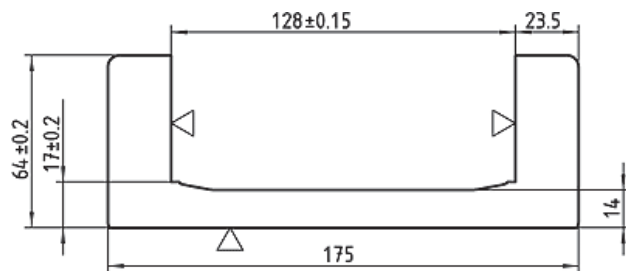
# Single Profiles

## Precision Series



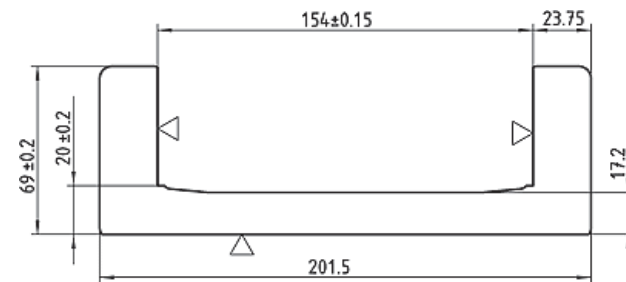
**Part No.: W-PR 4Nb** Precision Profile. Wt. 32.1 kg/m

Area: 40.7cm<sup>2</sup>      ey: 2.1cm  
 Wx: 174.6cm<sup>3</sup>      lx: 1373cm<sup>4</sup>  
 Wy: 31.8cm<sup>3</sup>      ly: 126.6cm<sup>4</sup>



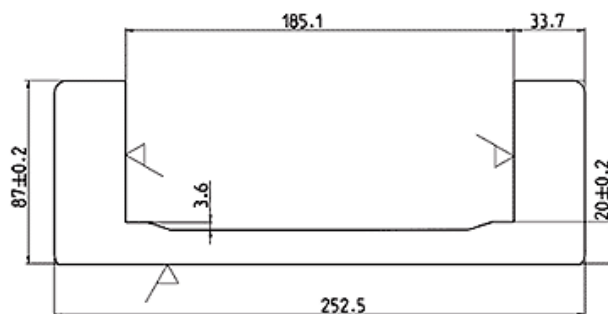
**Part No.: W-PR 5Nb** Precision Profile. Wt. 38.1 kg/m

Area: 48.6cm<sup>2</sup>      ey: 2.2cm  
 Wx: 228cm<sup>3</sup>      lx: 1996cm<sup>4</sup>  
 Wy: 39.7cm<sup>3</sup>      ly: 174cm<sup>4</sup>



**Part No.: W-PR 6Nb** Precision Profile. Wt. 47.1 kg/m

Area: 60.0cm<sup>2</sup>      ey: 2.3cm  
 Wx: 312cm<sup>3</sup>      lx: 3148cm<sup>4</sup>  
 Wy: 47.8cm<sup>3</sup>      ly: 232cm<sup>4</sup>



**Part No.: W-PR 8Nb** precision Profile. Wt. 70.6 kg/m

Area: 89.9cm<sup>2</sup>      ey: 3.1cm  
 Wx: 634cm<sup>3</sup>      lx: 8000cm<sup>4</sup>  
 Wy: 112cm<sup>3</sup>      ly: 623cm<sup>4</sup>

# Duplex Profiles

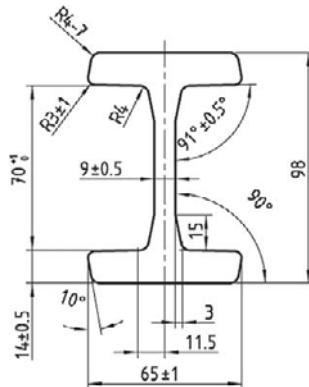
## Standard Series



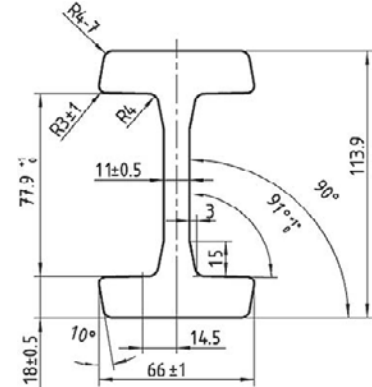
**Material:** S450 J2 Modified. Can be provided cut to length up to 6 meters long, longer on request.



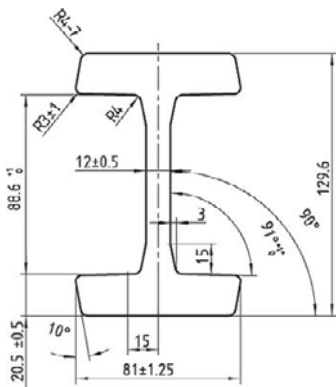
CAD Drawing Download: [www.winkel.de](http://www.winkel.de)



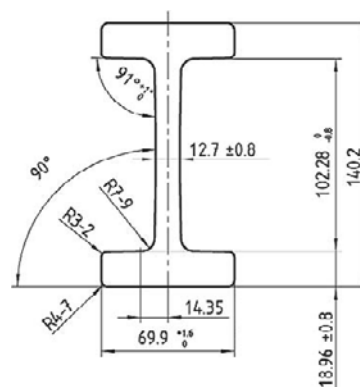
**Part No.: W-3018** Wt. 19.4 kg/m  
 Area: 24.8cm<sup>2</sup> Wy: 18.00cm<sup>3</sup>  
 Wx: 70.6cm<sup>3</sup> ly: 58.3cm<sup>4</sup>  
 lx: 345.9cm<sup>4</sup>



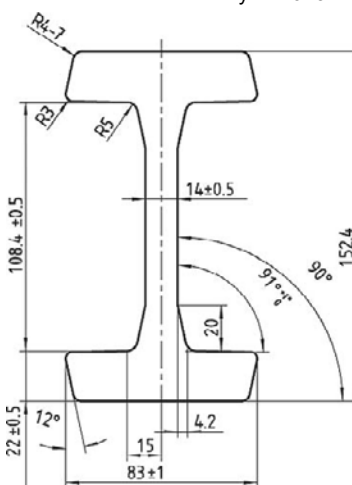
**Part No.: W-3019** Wt. 25.3 kg/m  
 Area: 32.2cm<sup>2</sup> lx: 597.5cm<sup>4</sup>  
 Wx: 104.9cm<sup>3</sup> Wy: 23.2cm<sup>3</sup>  
 ly: 76.8cm<sup>4</sup>



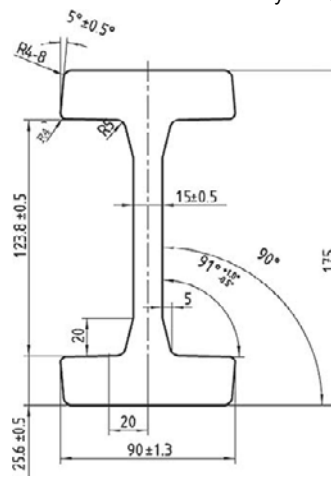
**Part No.: W-3020** Wt. 34.0 kg/m  
 Area: 43.4cm<sup>2</sup> lx: 1037cm<sup>4</sup>  
 Wx: 160cm<sup>3</sup> Wy: 40cm<sup>3</sup>  
 ly: 162cm<sup>4</sup>



**Part No.: W-2912** Wt. 31.17 kg/m  
 Area: 39.5cm<sup>2</sup> lx: 1089cm<sup>4</sup>  
 Wx: 156cm<sup>3</sup> Wy: 30cm<sup>3</sup>  
 ly: 105cm<sup>4</sup>



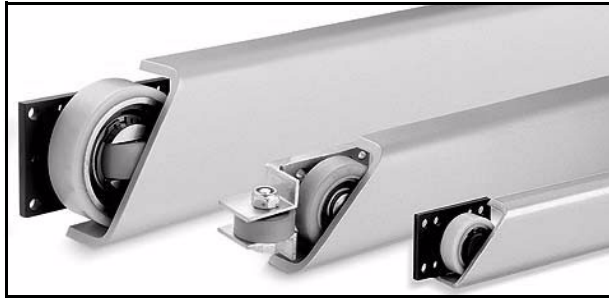
**Part No.: W-3100** Wt. 40.8 kg/m  
 Area: 51.1cm<sup>2</sup> lx: 1657cm<sup>4</sup>  
 Wx: 217cm<sup>3</sup> Wy: 44cm<sup>3</sup>  
 ly: 184cm<sup>4</sup>



**Part No.: W-3353** Wt. 51.4 kg/m  
 Area: 65.5cm<sup>2</sup> lx: 2826cm<sup>4</sup>  
 Wx: 323cm<sup>3</sup> Wy: 65.2cm<sup>3</sup>  
 ly: 293cm<sup>4</sup>

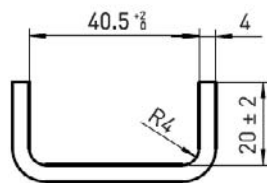
Note: See selection page for load ratings of profiles. Larger fabricated sizes available on request.

## for Vulkollan & Polyamide Combined Bearings

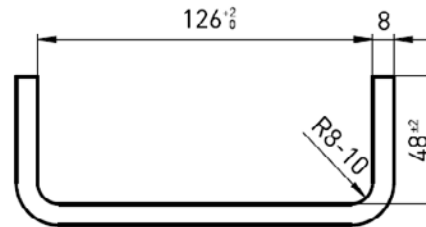


Select Profiles for Vulkollan or Polyamide combined bearings based on the load rating of the particular bearing. The individual bearing loads are listed within each series section.

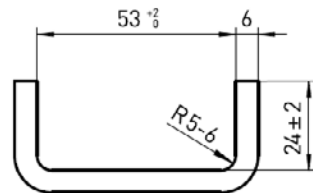
Part No. W-A



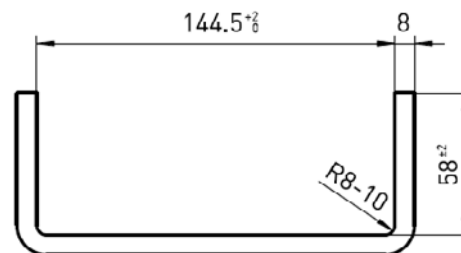
Part No. W-R



Part No. W-S

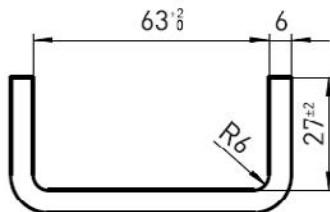


Part No. W-W

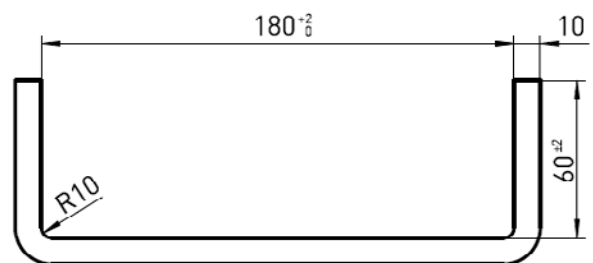


Also available  
in Stainless

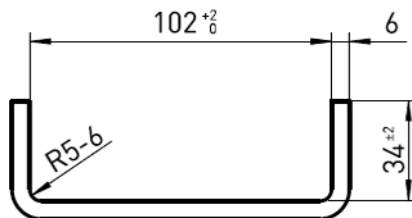
Part No. W-M



Part No. W-X



Part No. W-V



Stock lengths = 6 meters  
Cut to length on request

### Technical Details

CAD Drawing Download: [www.winkel.de](http://www.winkel.de)

Parameter	Part No.						
	W-A	W-S	W-M	W-V	W-R	W-W	W-X
Wt. (kg/m)	2.62	5.0	5.8	8.3	14.3	16.9	24.1
Area cm <sup>2</sup>	3.3	6.4	7.3	10.5	18.3	21.3	30.7
Ix cm <sup>4</sup>	10.6	35.4	54.4	178.7	499.7	758.9	1626.8
Wx cm <sup>3</sup>	4.4	10.9	14.5	31.4	70.4	94.9	162.7
Iy cm <sup>4</sup>	1.7	5.0	6.9	14.0	49.8	83.0	126.1
Wy cm <sup>3</sup>	1.0	2.5	3.1	4.8	12.4	17.5	24.6
ey cm	0.8	1.0	1.0	1.1	1.6	1.9	1.9