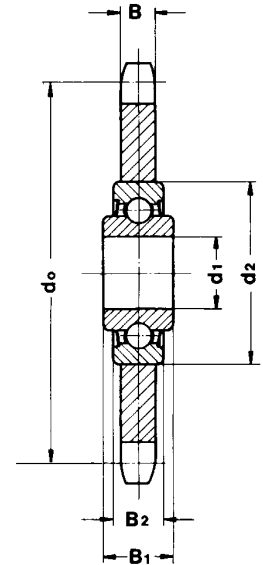
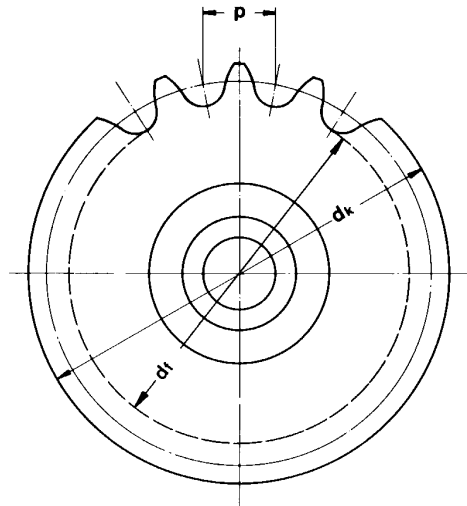


Metric Idler Sprockets



Part No.	Chain Size (ISO)	Pitch p mm	Teeth	d _o mm	d _k mm	B mm	d ₁ mm *	d ₂ mm	B ₁ mm	B ₂ mm	Wt. kg
IS05B-1-23T	05B-1	8	23	58.75	62.0	7.0	16	40	18.3	12	0.14
IS06B-1-21T	06B-1	9.525	21	63.9	68.0	5.3	16	40	18.3	12	0.15
IS081B-1-18T	081B-1	12.7	18	73.1	78.9	7.0	16	40	18.3	12	0.20
IS083B-1-16T	083B-1	12.7	16	65.1	70.9	7.0	16	40	18.3	12	0.20
IS08B-1-16T	08B-1	12.7	16	65.1	69.5	7.2	16	40	18.3	12	0.20
IS08B-1-18T	08B-1	12.7	18	73.1	78.0	7.2	16	40	18.3	12	0.20
IS10B-1-15T	10B-1	15.875	15	86.4	93.0	9.1	16	40	18.3	12	0.20
IS10B-1-17T	10B-1	15.875	17	86.4	93.0	9.1	16	40	18.3	12	0.30
IS12B-1-15T	12B-1	19.05	15	91.6	100.0	11.1	16	40	18.3	12	0.40
IS16B-1-12T	16B-1	25.4	12	98.1	109.0	16.2	20	47	17.7	14	0.65
IS20B-1-13T	20B-1	31.75	13	132.7	148.0	18.5	25	52	25.4	15	0.73

Note: *Bore Tolerance + 0.26/+ 0.13mm