

# Plummer Block Housings

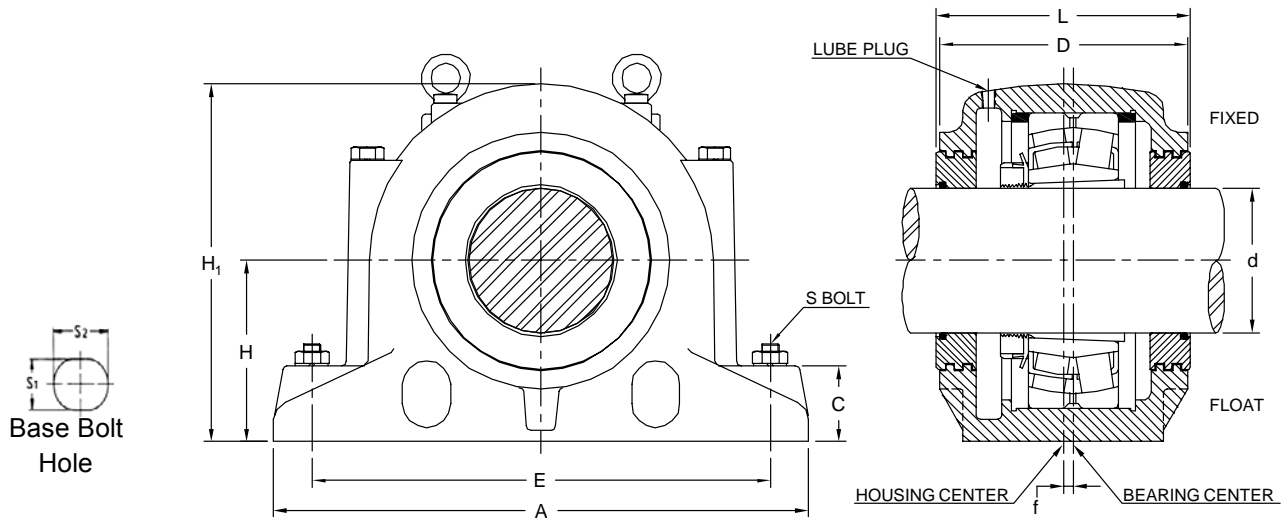


## SD 3100 TS Series

The SD 3100 Series is an extra heavy duty housing that uses an adapter mounted bearing. The unit includes fixing rings and labyrinth seal rings. Standard housing is cast iron. Ductile and steel housings are also stocked, end covers on request.



SD 3000 & SD 3200 Series available on request.



Dimensions in mm

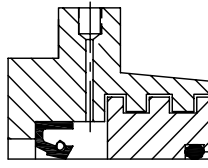
Housing Part No.	d	A	b	C	D	e	E	f	H	H <sub>1</sub>	L	S	S <sub>1</sub>	S <sub>2</sub>	T	x	Wt. kg
SD 3134TS	150	510	180	70	230	100	430	14	170	335	240	M24	28	34	154	65	65
SD 3136TS	160	530	190	75	240	110	450	15	180	355	250	M24	28	34	159	68	75
SD 3138TS	170	560	210	80	260	120	480	10	190	375	270	M24	28	34	168	80	95
SD 3140TS	180	610	230	85	280	130	510	10	210	410	290	M30	35	42	178	82	120
SD 3144TS	200	640	240	90	290	140	540	12	220	435	300	M30	35	42	184	90	135
SD 3148TS	220	700	260	95	310	150	600	12	240	475	320	M30	35	42	194	100	180
SD 3152TS	240	770	280	100	320	160	650	13	260	515	330	M36	42	50	200	105	215
SD 3156TS	260	790	280	105	320	160	670	16	280	550	330	M36	42	50	200	105	250
SD 3160TS	280	830	310	110	350	190	710	22	300	590	360	M36	42	50	213	110	300
SD 3164TS	300	880	330	115	370	200	750	23	320	630	380	M36	42	50	224	120	330
SD 3168 NTS	320	950	360	120	400	220	810	24	340	675	410	M36	42	50	—	155	380
SD 3172 NTS	340	1000	360	120	400	220	840	30	350	695	410	M36	42	50	—	160	420
SD 3176 NTS	360	1040	360	120	400	220	870	30	360	715	410	M36	42	50	247	165	490
SD 3180 NTS	380	1120	390	125	430	240	950	30	380	755	440	M42	50	70	—	170	570
SD 3184 NTS	400	1170	420	130	460	260	1000	35	410	810	470	M42	50	70	—	190	610

Housing Part No.	d	A	b	C	D	e	E	f	H	H <sub>1</sub>	L	S	S <sub>1</sub>	S <sub>2</sub>	T	x	Wt. kg
SD 3168TS	320	965	380	120	390	240	840	25	340	670	400	M45	54	72	244	135	430
SD 3172TS	340	1040	390	130	390	255	890	22	360	720	400	M50	60	80	249	145	560
SD 3176TS	360	1120	400	135	405	255	980	22	380	950	415	M55	68	90	260	145	770
SD 3180TS	380	1245	420	140	425	270	1050	22	400	790	435	M60	76	96	272	150	870

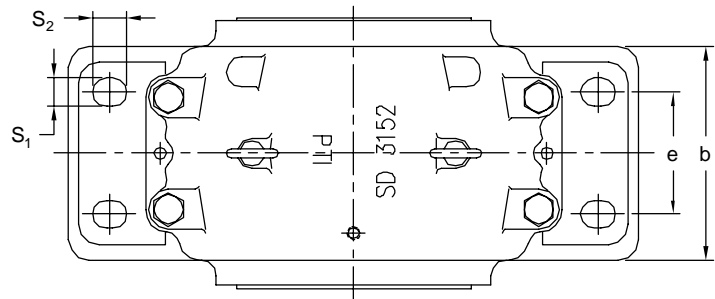
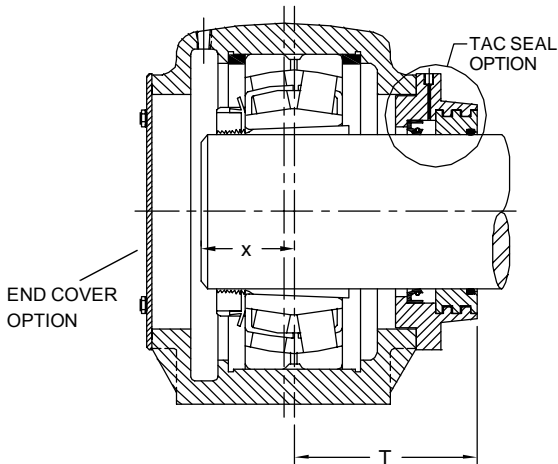
# Plummer Block Housings



## SD 3100 TS Series



TAC SEAL OPTION



Size Part No.	Labyrinth Seals Part No.	Bearings Part No.	Sleeves Part No.	Basic Dynamic Load Rating C kN	Fixing Rings		O Ring Dia. x Length	Grease Qty. First Application in kg
					Part No.	Qty.		
SD 3134TS	TS 34	23134 K	H3134	890	FR 280/10	2	4 x 530	1.8
SD 3136TS	TS 36	23136 K	H3136	1040	FR 300/10	2	4 x 560	2.2
SD 3138TS	TS 38	23138 K	H3138	1200	FR 320/10	2	4 x 590	2.9
SD 3140TS	TS 40	23140 K	H3140	1350	FR 340/10	2	4 x 620	3.8
SD 3144TS	TS 44	23144 K	H3144	1550	FR 370/10	2	4 x 680	4.4
SD 3148TS	TS 48	23148 K	H3148	1750	FR 400/10	2	4 x 750	5.5
SD 3152TS	TS 52	23152 K	H3152	2200	FR 440/10	2	4 x 810	7.0
SD 3156TS	TS 56	23156 K	H3156	2250	FR 460/10	2	4 x 870	7.4
SD 3160TS	TS 60	23160 K	H3160	2800	FR 500/10	2	4 x 940	10.5
SD 3164TS	TS 64	23164 K	H3164	3200	FR 540/10	2	4 x 1000	13.0
SD 3168 NTS	TS 68	23168 K	H3168	3600	FR 580/10	2	4 x 1100	20.0
SD 3172 NTS	TS 72	23172 K	H3172	3750	FR 600/10	2	4 x 1100	20.0
SD 3176 NTS	TS 76	23176 K	H3176	3900	FR 620/10	2	4 x 1200	25.0
SD 3180 NTS	TS 80	23180 K	H3180	4200	FR 650/10	2	4 x 1200	25.0
SD 3184 NTS	TS 84	23184 K	H3184	5200	FR 700/10	2	4 x 1300	35.0

Size Part No.	Labyrinth Seals Part No.	Bearings Part No.	Sleeves Part No.	Basic Dynamic Load Rating C kN	Fixing Rings		O Ring Dia. x Length	Grease Qty. First Application in kg
					Part No.	Qty.		
SD 3168TS	TS 68	23168 K	H3168	3600	FR 580/10	2	4 x 1100	20.0
SD 3172TS	TS 72	23172 K	H3172	3750	FR 600/10	2	4 x 1100	20.0
SD 3176TS	TS 76	23176 K	H3176	3900	FR 620/10	2	4 x 1200	25.0
SD 3180TS	TS 80	23180 K	H3140	4200	FR 650/10	2	4 x 1200	25.0