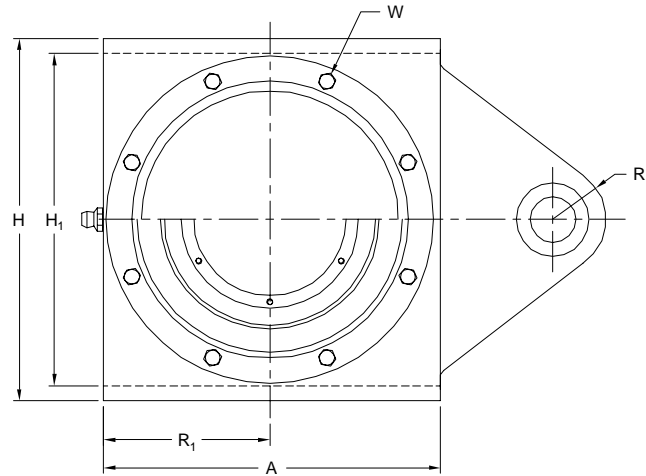


HSPA Take-Up Units



HSPA Take-Up Units mount on customer supplied frames. When used in pairs, they provide adjustment for conveyor systems. Housings can be provided with bearing and adapter. Custom units are also possible.

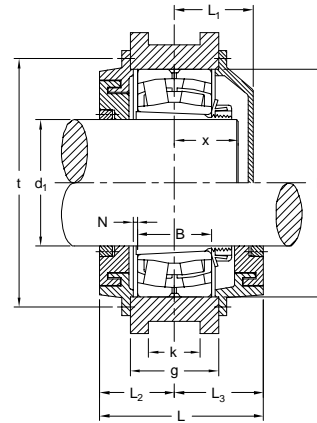
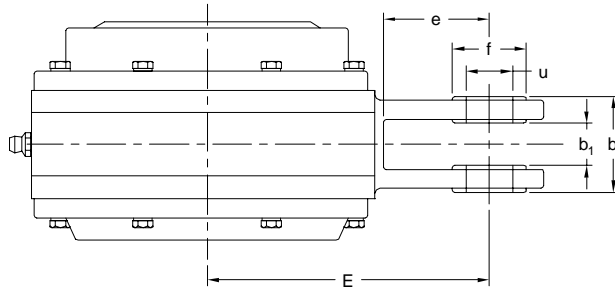


Dimensions in mm

Part No.	Shaft d_1	A	R_1	H	H_1	E	e	f	u	b	b_1	L	L_1	L_2	L_3	g	k
HSPA2211 K	50	150	75	150	135	105	30	60	20	42	22	109	35	49	60	50	34
HSPA2212 K	55	165	82.5	165	150	120	37	60	25	50	26	120	40	54	66	60	43
HSPA2213 K	60	160	80	180	155	145	65	60	30	66	30	135	53	62	73	78	53
HSPA2216 K	70	180	90	200	175	155	65	60	30	66	30	145	58	67	78	78	53
HSPA2218 K	80	210	105	230	200	170	65	60	30	66	30	168	63	78	90	78	53
HSPA2220K	90	235	117.5	250	220	185	67	65	35	70	36	170	65	80	90	69	40
HSPA2222K	100	255	125	270	240	200	70	70	40	76	40	199	68	94	105	78	53
HSPA2224K	110	275	135	290	260	210	70	70	40	76	40	180	69	85	95	78	53
HSPA2226K	115	295	147.5	310	290	220	70	70	40	76	40	194	78	87	110	82	53
HSPA2228K	125	315	155	330	300	230	70	70	40	76	40	226	78	113	113	83	53
HSPA3028K	125	260	130	300	270	225	90	90	50	150	60	156	68	68	88	70	45
HSPA3030K	135	280	140	320	290	235	90	90	50	150	60	194	82	82	112	85	45
HSPA3132K	140	370	185	370	340	350	160	100	61	132	62	229	108	108	121	116	65
HSPA3034K	150	325	162.5	360	330	260	90	90	50	150	60	201	88	88	113	102	65
HSPA3134K	150	375	187.5	400	370	395	180	100	60	132	62	249	113	113	136	120	65
HSPA2236K	160	420	210	440	410	380	170	140	80	135	65	255	95	120	135	114	60
HSPA3036K	160	350	175	390	360	275	90	90	50	150	60	201	88	88	113	110	65
HSPA3136K	160	400	200	440	410	360	158	140	80	135	65	248	105	113	135	120	60
HSPA3236K	160	420	210	450	410	300	90	140	80	140	70	285	110	135	150	140	93
HSPA3038K	170	375	180	440	400	290	90	90	50	150	60	211	88	93	118	105	65
HSPA3040K	180	390	200	430	400	275	85	120	70	125	62	240	108	107	133	125	83
HSPA3140K	180	420	210	440	410	360	140	100	60	140	70	270	115	120	150	140	100
HSPA3044K	200	430	210	480	440	325	100	100	60	200	70	241	103	103	138	120	65
HSPA3144K	200	470	235	510	480	530	260	140	100	144	74	276	128	128	148	150	65
HSPA3148K	220	520	260	540	500	515	250	250	100	215	123	328	129	149	179	152	65
HSPA3052K	240	500	245	540	500	515	250	250	100	215	123	261	113	113	148	135	65
HSPA3152K	240	550	275	570	540	565	270	250	100	225	135	336	140.5	150.5	185.5	175	80
HSPA3252K	240	596	298	610	570	615	300	240	100	240	173	375	157.5	167.5	207.5	205	103
HSPA3156K	260	600	300	610	570	615	300	200	100	240	173	351	148	158	193	175	103
HSPA3160K	280	630	315	650	610	650	310	200	100	270	170	385	155	170	215	190	130
HSPA2260K	280	660	330	680	640	630	280	200	105	220	150	370	160.5	174.5	195.5	177	80
HSPA3260K	280	680	340	690	650	680	310	260	100	270	190	404	187	182	222	230	115
HSPA3164K	300	680	340	700	660	680	340	240	110	300	180	395	192	180	215	210	140
HSPA3168K	320	740	370	740	700	720	310	240	120	300	180	445	200	200	245	220	150
HSPA3268K	320	735	385	740	700	750	310	240	110	300	213	475	238	203	272	265	123
HSPA3272K	340	800	400	830	790	765	310	280	130	330	213	509	222	227	282	275	123
HSPA3176K	360	750	375	790	740	750	320	230	110	300	200	459	202	202	257	230	120
HSPA3276K	360	810	405	820	780	780	305	240	110	300	213	529	257	232	297	295	123

Note: Housing can be supplied as fixed (F) or floating (L). Housing also supplied for thru shafts (B) or closed (A). Specify at the time of order. Material = Cast Steel

HSPA Take-Up Units



Dimensions in mm

Part No.		Basic Dynamic Load Rating C kN	Bearing Dimensions		Cover Plate			Mounting Dimensions			Housing Weight kg
Bearing	Sleeve		D	B	W	t	Qty	X	N	R	
22211K	H311	115	100	25	M 8	115	12	27	2	30	9.5
22212K	H312	122	110	28	M 8	125	12	30	2	35	10
22213K	H313	148	120	31	M 8	135	16	35	2	40	12
22216K	H316	175	140	33	M 8	155	16	40	2	40	17
22218K	H318	250	160	40	M 8	180	16	45	2	40	24
22220K	H320	310	180	46	M 8	205	12	46	2.5	40	27
22222K	H322	405	200	53	M 8	220	16	55	2.5	45	29
22224K	H3124	465	215	58	M 8	240	16	58	2.5	45	30
22226K	H3126	545	230	64	M 12	260	12	61	3	45	38
22228K	H3128	605	250	68	M 10	275	16	65	3	45	43
23028K	H3028	395	210	53	M 10	235	16	55	3	70	50
23030K	H3030	435	225	56	M 12	250	16	60	2	70	60
23132K	H3132	840	270	86	M 12	300	16	78	3	90	125
23034K	OH3034	620	260	67	M 12	285	16	68	2	70	105
23134K	OH3134	890	280	88	M 12	330	16	80	3	90	180
22236K	OH3136	1000	320	86	M 16	360	16	80	3	100	230
23036K	OH3036	720	280	74	M 12	310	16	72	3	70	132
23038K	OH3038	750	290	75	M 16	325	16	72	3	70	135
23040K	OH3040	875	310	82	M 16	340	16	78	3	80	160
23140K	OH3140	1350	340	112	M 16	380	16	95	2	80	175
23044K	OH3044	1040	340	90	M 16	375	16	80	3	80	185
23144K	OH3144	1550	370	120	M 16	410	16	95	4	120	265
23148K	OH3148	1750	400	128	M 20	455	16	110	4	150	310
23052K	OH3052	1400	400	104	M 16	440	16	94	4	150	240
23152K	OH3152	2200	440	144	M 24	490	16	115	4	150	330
23252K	OH2352	2760	480	174	M 20	535	16	130	3	150	420
23156K	OH3156	2250	460	146	M 24	510	16	120	4	150	360
23160K	OH3160	2800	500	160	M 24	550	16	130	4	150	440
22260K	OH3160	1890	540	140	M 20	600	16	120	4	170	530
23260K	OH3260	3450	540	192	M 24	600	16	145	4	180	625
23164K	OH3164	3200	540	176	M 24	590	16	135	4	180	580
23168K	OH3168	3600	580	190	M 24	630	16	160	4	200	640
23268K	OH3268	4450	620	224	M 24	680	16	210	5	200	650
23272K	OH3272	4850	650	232	M 24	890	16	190	5	225	890
23176K	OH3176	3900	620	194	M 24	700	16	170	5	200	720
23276K	OH3276	5200	680	240	M 30	730	16	220	5	200	910