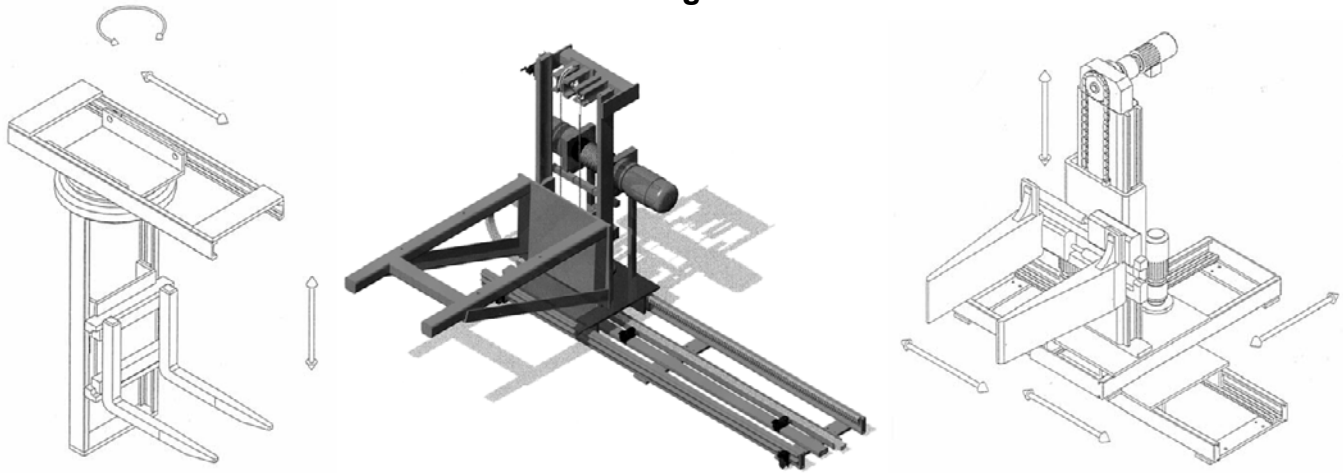
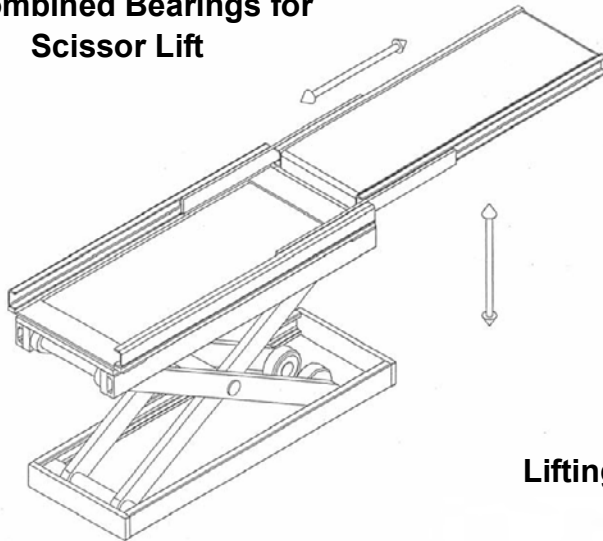


## Typical Applications

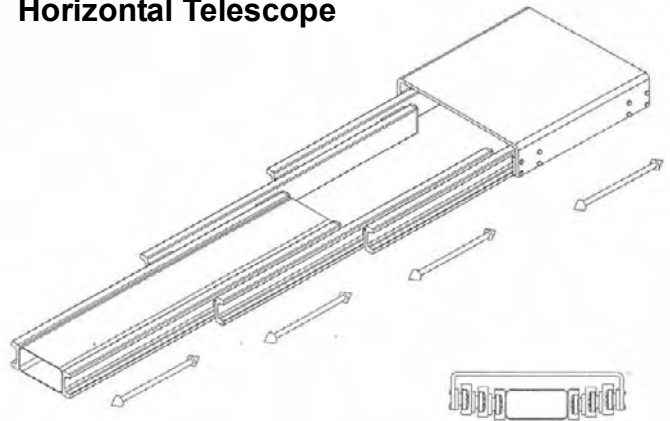
### Multiaxis Handling Unit



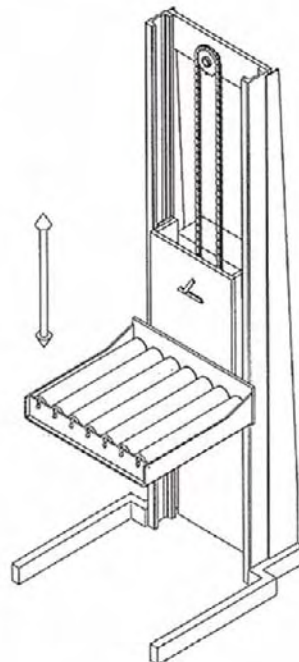
### Combined Bearings for Scissor Lift



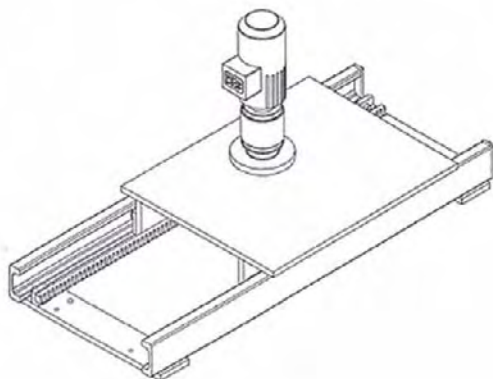
### Horizontal Telescope



### Lifting Mechanism



### Rack and Pinion Drive



### Gear Rack Mechanism

