

Spherical Plain Bearing

GE..EC (2RS) Type



Steel on PTFE Teflon Liner

Normal Duty

Maintenance Free

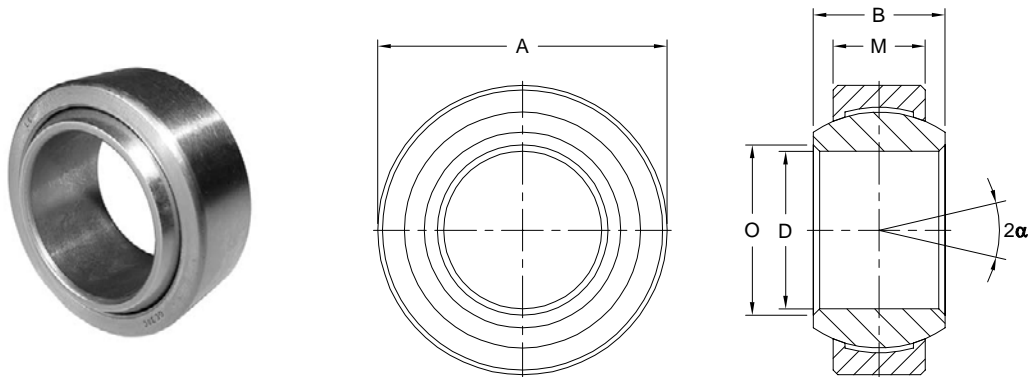
Suited for High Uni-directional Loads

Insert: Bearing steel 100Cr6, Aisi 52100, PTFE Teflon liner, bonded to the inner surface

Size 15 and up available sealed from both sides (-2RS)

from size 55 only sealed from both sides (-2RS)

Ball: Bearing steel to 100Cr6, Aisi 52100, hardened, ground, polished, hard chrome plated



Part No.	Dimensions (mm)							Static Load C ₀ kN	Static Load C ₀ kN (2RS)	Dynamic Load C kN	Dynamic Load C kN (2RS)	Misalignment Angle	Wt. g	
	Size (D)	B	M	A		O	dK							
GE 4 EC	4	0-0.008	5	3	12	0-0.008	6.0	8.0	5.4	—	2.1	—	16	3
GE 5 EC	5	0-0.008	6	4	14	0-0.008	8.0	10.0	9.1	—	3.6	—	13	4
GE 6 EC	6	0-0.008	6	4	14	0-0.008	8.0	10.0	9.1	—	3.6	—	13	4
GE 8 EC	8	0-0.008	8	5	16	0-0.008	10.2	13.0	14.0	—	5.8	—	15	7
GE 10 EC	10	0-0.008	9	6	19	0-0.009	13.2	16.0	21.0	—	8.6	—	12	11
GE 12 EC	12	0-0.008	10	7	22	0-0.009	14.9	18.0	28.0	—	11.0	—	11	17
GE 15 EC	15	0-0.008	12	9	26	0-0.009	18.4	22.0	45.0	59	18.0	17.5	8	26
GE 16 EC	16	0-0.008	14	10	30	0-0.009	20.7	25.0	56.0	56	22.0	22.5	10	40
GE 17 EC	17	0-0.008	14	10	30	0-0.009	20.7	25.0	56.0	75	22.0	22.5	10	40
GE 20 EC	20	0-0.010	16	12	35	0-0.011	24.1	29.0	78.0	104	31.0	31.5	9	64
GE 25 EC	25	0-0.010	20	16	42	0-0.011	29.3	35.5	127.0	204	51.0	51.0	7	115
GE 30 EC	30	0-0.010	22	18	47	0-0.011	34.2	40.7	166.0	263	65.0	66.0	6	149
GE 35 EC	35	0-0.012	25	20	55	0-0.013	39.7	47.0	211.0	338	84.0	140.0	6	228
GE 40 EC	40	0-0.012	28	22	62	0-0.013	45.0	53.0	262.0	419	104.0	185.0	7	318
GE 45 EC	45	0-0.012	32	25	68	0-0.013	50.7	60.0	337.0	540	135.0	240.0	7	421
GE 50 EC	50	0-0.012	35	28	75	0-0.013	55.9	66.0	415.0	665	166.0	295.0	6	562
GE 60 EC	60	0-0.015	44	36	90	0-0.015	66.8	80.0	—	1030	—	460.0	6	1030
GE 70 EC	70	0-0.015	49	40	105	0-0.015	77.8	92.0	—	1320	—	590.0	6	1570
GE 80 EC	80	0-0.015	55	45	120	0-0.015	89.4	105.0	—	1700	—	750.0	6	2320
GE 90 EC	90	0-0.020	60	50	130	0-0.018	98.1	115.0	—	2070	—	920.0	5	2790

Note: Larger sizes available on request.