

Metric Hydraulic Rod Ends



FPR..U Type

Steel-Zinc Plated

Regreasable

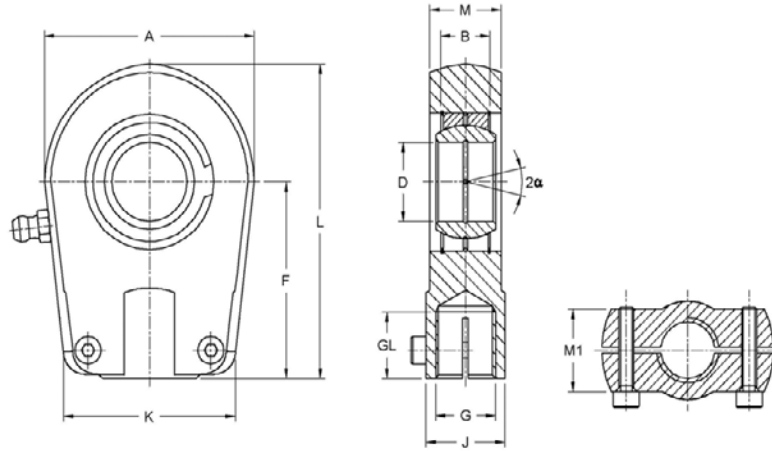
Right & Left Hand - Internal Threads

Suited for Short Relay Distance and Maximum Stroke

Housing: up to size 80 forged, C45, Aisi 1045

Housings 90 up from nodular cast iron GS 400

Bearing: steel on steel GE...E, requires lubrication



Dimensions in mm

Right Hand Part No.	Left Hand Part No.	Shaft Size D	Dimensions (mm)										Cap Screw Size	Cap Screw Torque Nm	Static Load C ₀ kN	Dynamic Load C kN	Pivoting Angle α°	Wt. kg
			B	M	M1	A	F	L	K	J	G	GL						
FPR20U	FPL20U	20	16	19	21	56	50	80.0	46	25	M16 x 1.5	17	M8 x 20	25	81.1	30	9	0.40
FPR25U	FPL25U	25	20	23	21	56	50	80.0	46	25	M16 x 1.5	17	M8 x 20	25	72.0	48	7	0.48
FPR30U	FPL30U	30	22	28	26	64	60	94.0	50	32	M22 x 1.5	23	M8 x 25	25	106.0	62	6	0.70
FPR35U	FPL35U	35	25	30	28	78	70	112.0	66	40	M28 x 1.5	29	M10 x 30	49	153.0	80	6	1.15
FPR40U	FPL40U	40	28	35	33	94	85	135.0	76	49	M35 x 1.5	36	M10 x 30	49	250.0	100	7	2.08
FPR50U	FPL50U	50	35	40	37	116	105	168.0	90	61	M45 x 1.5	46	M12 x 40	86	365.0	156	6	3.58
FPR60U	FPL60U	60	44	50	46	130	130	200.0	120	75	M58 x 1.5	59	M16 x 45	210	400.0	245	6	6.20
FPR70U	FPL70U	70	49	55	51	154	150	232.0	130	86	M65 x 1.5	66	M16 x 45	210	540.0	315	6	9.20
FPR80U	FPL80U	80	55	60	55	176	170	265.0	160	105	M80 x 2	81	M20 x 55	410	670.0	400	6	13.20
FPR90U	FPL90U	90	60	65	60	206	210	322.0	180	124	M100 x 2	101	M20 x 55	410	980.0	490	5	19.60
FPR100U	FPL100U	100	70	70	65	231	235	360.0	200	138	M110 x 2	111	M24 x 75	710	1120.0	610	7	26.31
FPR110U	FPL110U	110	70	80	74	265	265	407.5	220	152	M120 x 3	125	M24 x 75	710	1700.0	655	6	39.20
FPR120U	FPL120U	120	85	90	84	340	310	490.0	257	172	M130 x 3	135	M24 x 75	710	2900.0	950	6	78.00

Other Custom Types



FPR..N Type
(Hydraulic)



FS..C Type
(Weld-On)



FS..N Type
(Weld-On)



GXSW Type
(with Custom Link)