

5M HTD® Pulleys - Taper Bushed



5 mm Pitch x 15 mm Belt Width

Part No. TL40-5M-15

Where: TL = Taper Bushed Version
 40 = No. of Teeth
 5M = Pitch (5, 8 and 14mm)
 15 = Width of belt (20, 30, 50 and 85)

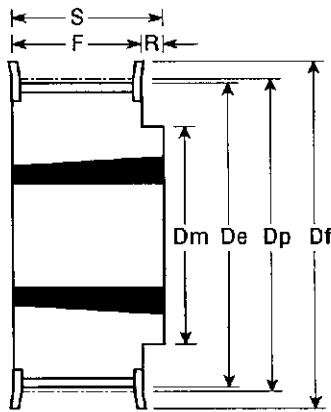


Fig 8F

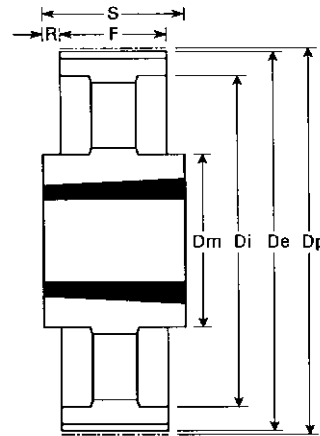


Fig 7A

Dimensions in mm

Part No.	Bushing	Teeth	Belt Width	Material	Figure	Dp	De	Df	Dm	Di	F	S	R	Wt. kg
TL34-5M-15	1008	34	15	ST	8F	54.11	52.97	57	43	—	20.5	22	1.5	0.19
TL36-5M-15	1108	36	15	ST	8F	57.30	56.16	60	44	—	20.5	22	1.5	0.20
TL38-5M-15	1108	38	15	ST	8F	69.48	59.34	66	48	—	20.5	22	1.5	0.25
TL40-5M-15	1108	40	15	ST	8F	63.66	62.52	71	52	—	20.5	22	1.5	0.31
TL44-5M-15	1108	44	15	ST	8F	70.03	68.89	75	54	—	20.5	22	1.5	0.40
TL48-5M-15	1210	48	15	ST	8F	76.39	75.25	83	64	—	20.5	25	4.5	0.45
TL56-5M-15	1210	56	15	GG	8F	89.13	87.99	93	70	—	20.5	25	4.5	0.67
TL64-5M-15	1210	64	15	GG	8F	101.86	100.72	106	78	—	20.5	25	4.5	0.96
TL72-5M-15	1610	72	15	GG	8F	114.59	113.45	119	90	—	20.5	25	4.5	1.19
TL80-5M-15	1610	80	15	GG	8F	127.32	126.18	135	92	—	20.5	25	4.5	1.57
TL90-5M-15	1610	90	15	GG	7A	143.24	142.10	—	92	126	20.5	25	2.3	1.47
TL112-5M-15	1610	112	15	GG	7A	178.25	177.11	—	92	162	20.5	25	2.3	1.94
TL136-5M-15	2012	136	15	GG	7A	216.45	215.31	—	106	199	20.5	32	5.8	3.06
TL150-5M-15	2012	150	15	GG	7A	238.73	237.59	—	106	222	20.5	32	5.8	3.90

Note: ST = Steel, GG = Cast Iron.

8M HTD® Pulleys - Taper Bushed



8 mm HTD® x 20, 30, 50, and 85 mm Belt Widths

Part No. TL32-8M-50

Where: TL = Taper Bushed Version

32 = No. of Teeth

8M = Pitch (5, 8 and 14mm)

50 = Width of belt (20, 30, 50 and 85)

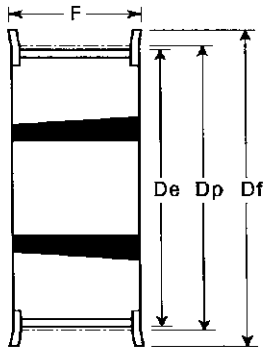


Fig 3F

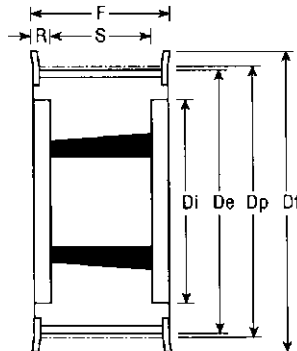


Fig 4F

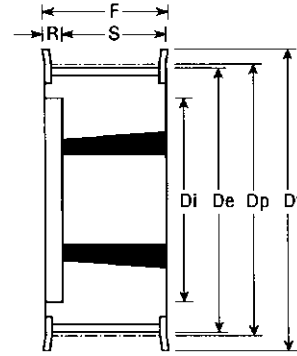


Fig 5F

Dimensions in mm

Part No.	Bushing	Teeth	Belt Width	Material	Figure	Dp	De	Df	Dm	Di	F	S	R	Wt. kg
TL22-8M-20	1008	22	20	GG	5F	56.02	54.65	60.0	—	41	28	22	6.0	0.24
TL22-8M-30	1008		30	GG	5F	56.02	54.65	60.0	—	41	38	22	16.0	0.29
TL24-8M-20	1108	24	20	GG	5F	61.12	59.75	66.0	—	42	28	22	6.0	0.30
TL24-8M-30	1108		30	GG	5F	61.12	59.75	66.0	—	42	38	22	16.0	0.38
TL26-8M-20	1108	26	20	GG	5F	66.21	64.84	71.0	—	46	28	22	6.0	0.36
TL26-8M30	1108		30	GG	5F	66.21	64.84	71.0	—	46	38	22	16.0	0.45
TL28-8M-20	1108	28	20	GG	5F	71.30	70.08	75.0	—	50	28	22	6.0	0.44
TL28-8M-30	1210		30	ST	5F	71.30	70.08	75.0	—	50	38	25	13.0	0.50
TL28-8M-50	1210		50	ST	5F	71.30	70.08	75.0	—	50	60	25	35.0	0.60
TL30-8M-20	1108	30	20	GG	5F	76.39	75.13	83.0	—	58	28	22	6.0	0.53
TL30-8M-30	1615		30	ST	3F	76.39	75.13	83.0	—	—	38	38	—	0.55
TL30-8M-50	1615		50	ST	5F	76.39	75.13	83.0	—	58	60	38	22.0	0.65
TL32-8M-20	1610	32	20	GG	5F	81.49	80.16	87.0	—	62	28	25	3.0	0.42
TL32-8M-30	1615		30	GG	3F	81.49	80.16	87.0	—	—	38	38	—	0.59
TL32-8M-50	1615		50	GG	5F	81.49	80.16	87.0	—	62	60	38	22.0	0.82
TL34-8M-20	1610	34	20	GG	5F	86.58	85.79	91.0	—	65	28	25	3.0	0.55
TL34-8M-30	1615		30	GG	3F	86.58	85.22	91.0	—	—	38	38	—	0.77
TL34-8M-50	1615		50	GG	5F	86.58	85.22	91.0	—	65	60	38	22.0	1.06
TL34-8M-85	1615		85	GG	4F	86.58	85.22	91.0	—	65	95	38	28.5	1.43
TL36-8M-20	1610	36	20	GG	5F	91.67	90.30	98.5	—	68	28	25	3.0	0.68
TL36-8M-30	1615		30	GG	3F	91.67	90.30	98.5	—	—	38	38	—	0.96
TL36-8M-50	1615		50	GG	5F	91.67	90.30	98.5	—	68	60	38	22.0	1.30
TL36-8M-85	1615		85	GG	4F	91.67	90.30	98.5	—	68	95	38	28.5	1.87
TL38-8M-20	1610	38	20	GG	5F	96.77	95.39	103.0	—	72	28	25	3.0	0.80
TL38-8M-30	1615		30	GG	3F	96.77	95.39	103.0	—	—	38	38	—	1.15
TL38-8M-50	1615		50	GG	3F	96.77	95.39	103.0	—	72	60	38	22.0	1.60
TL38-8M-85	1615		85	GG	4F	96.77	95.39	103.0	—	72	95	38	28.5	2.20

Note: GG = Cast Iron. ST = Steel.

8M HTD® Pulleys - Taper Bushed



8 mm HTD® x 20, 30, 50, and 85 mm Belt Widths

Part No. TL48-8M-50

Where: TL = Taper Bushed Version
 48 = No. of Teeth
 8M = Pitch (5, 8 and 14mm)
 50 = Width of belt (20, 30, 50 and 85)

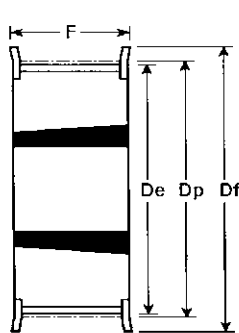


Fig 3F

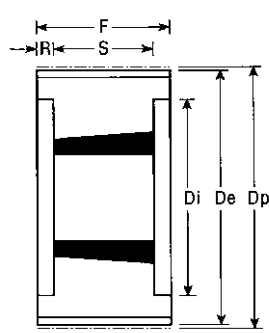


Fig 4F

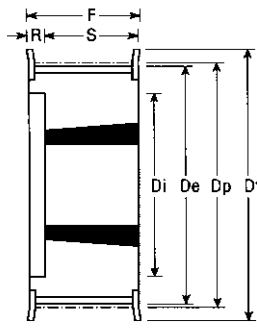


Fig 5F

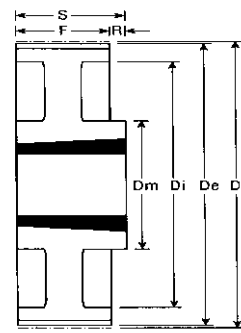


Fig 8F

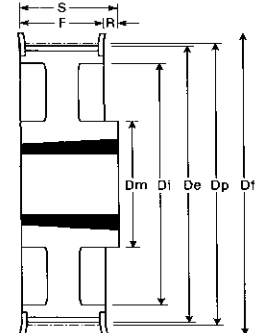


Fig 8WF

Dimensions in mm

Part No.	Bushing	Teeth	Belt Width	Material	Figure	Dp	De	Df	Dm	Di	F	S	R	Wt. kg
TL40-8M-20	1610	40	20	GG	5F	101.86	100.49	106.0	—	76	28	25	3.0	1.00
TL40-8M-30	1615		30	GG	3F	101.86	100.49	106.0	—	—	38	38	—	1.34
TL40-8M-50	2012		50	GG	4F	101.86	100.49	106.0	—	82	60	32	14.0	1.71
TL40-8M-85	2012		85	GG	4F	101.86	100.49	106.0	—	82	95	32	31.5	1.80
TL44-8M-20	2012	44	20	GG	8F	112.05	110.67	119.0	93	—	28	32	4.0	1.20
TL44-8M-30	2012		30	GG	4F	112.05	110.67	119.0	—	91	38	32	3.0	1.33
TL44-8M-50	2012		50	GG	4F	112.05	110.67	119.0	—	91	60	32	14.0	1.78
TL44-8M-85	2012		85	GG	4F	112.05	110.67	119.0	—	91	95	32	31.5	2.30
TL48-8M-20	2012	48	20	GG	8F	122.23	120.86	127.0	96	—	28	32	4.0	1.60
TL48-8M-30	2012		30	GG	4F	122.23	120.86	127.0	—	95	38	32	3.0	1.78
TL48-8M-50	2012		50	GG	4F	122.23	120.86	127.0	—	96	60	32	14.0	2.30
TL48-8M-85	2517		85	GG	4F	122.23	120.86	127.0	—	100	95	45	25.0	2.66
TL56-8M-20	2012	56	20	GG	8F	142.60	141.23	148.0	110	—	28	32	4.0	2.40
TL56-8M-30	2012		30	GG	4F	142.60	141.23	148.0	—	117	38	32	3.0	3.76
TL56-8M-50	2517		50	GG	4F	142.60	141.23	148.0	—	116	60	45	7.5	3.40
TL56-8M-85	2517		85	GG	4F	142.60	141.23	148.0	—	117	95	45	25.0	4.45
TL64-8M-20	2012	64	20	GG	8WF	162.97	161.60	168.0	110	137	28	32	4.0	2.70
TL64-8M-30	2517		30	GG	8F	162.97	161.60	168.0	125	—	38	45	7.0	4.20
TL64-8M-50	2517		50	GG	4F	162.97	161.60	168.0	—	137	60	45	7.5	5.00
TL64-8M-85	2517		85	GG	4F	162.97	161.60	168.0	—	137	95	45	25.0	6.20

Note: GG = Cast Iron.

8M HTD® Pulleys - Taper Bushed



8 mm HTD® x 20, 30, 50 and 85 mm Belt Widths

Part No. TL80-8M-20

Where: TL = Taper Bushed Version
 80 = No. of Teeth
 8M = Pitch (5, 8 and 14mm)
 20 = Width of belt (20, 30, 50 and 85)

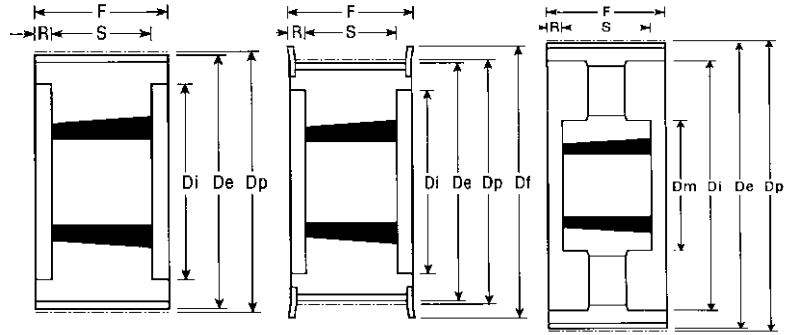


Fig 4

Fig 4F

Fig 9A

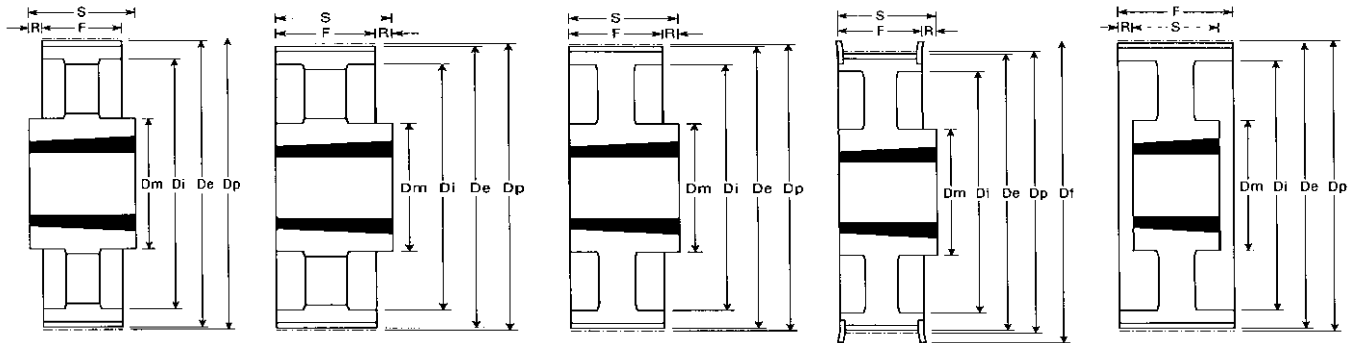


Fig 7A

Fig 8A

Fig 8W

Fig 8WF

Fig 9W

Dimensions in mm

Part No.	Bushing	Teeth	Belt Width	Material	Figure	Dp	De	Df	Dm	Di	F	S	R	Wt. kg
TL72-8M-20	2012	72	20	GG	8WF	183.35	181.97	192.0	110	158	28	32	4.0	3.30
TL72-8M-30	2517		30	GG	8WF	183.35	181.97	192.0	125	158	38	45	7.0	4.30
TL72-8M-50	2517		50	GG	4F	183.35	181.97	192.0	125	158	60	45	7.5	6.70
TL72-8M-85	3020		85	GG	4F	183.35	181.97	192.0	—	158	95	51	22.0	8.00
TL80-8M-20	2012	80	20	GG	8W	203.72	202.35	—	110	180	28	32	4.0	3.50
TL80-8M-30	2517		30	GG	8W	203.72	202.35	—	125	180	38	45	7.0	4.60
TL80-8M-50	3020		50	GG	4	203.72	202.35	—	—	180	60	51	4.5	8.80
TL80-8M-85	3020		85	GG	4	203.72	202.35	—	—	180	95	51	22.0	10.00
TL90-8M-20	2012	90	20	GG	8A	229.18	227.81	—	110	204	28	32	4.0	3.65
TL90-8M-30	2517		30	GG	8A	229.18	227.81	—	125	204	38	45	7.0	5.00
TL90-8M-50	3020		50	GG	9W	229.18	227.81	—	170	204	60	51	4.5	10.00
TL90-8M-85	3020		85	GG	9W	229.18	227.81	—	170	204	95	51	22.0	10.80
TL112-8M-30	2517	112	30	GG	8A	285.21	283.83	—	125	260	38	45	7.0	6.20
TL112-8M-50	3020		50	GG	9W	285.21	283.83	—	170	260	60	51	4.5	12.00
TL112-8M-85	3020		85	GG	9W	285.21	283.83	—	170	260	95	51	22.0	15.00
TL144-8M-30	2517	144	30	GG	8A	366.69	365.32	—	125	341	38	45	7.0	9.00
TL144-8M-50	3020		50	GG	9A	366.69	365.32	—	170	341	60	51	4.5	15.20
TL144-8M-85	3525		85	GG	9A	366.69	365.32	—	190	341	95	65	15.0	20.00
TL168-8M-50	3525	168	50	GG	7A	427.81	426.44	—	190	402	60	65	2.5	16.40
TL168-8M-85	3525		85	GG	9A	427.81	426.44	—	190	402	95	65	15.0	23.00
TL192-8M-50	3525	192	50	GG	7A	488.92	487.55	—	190	460	60	65	2.5	21.80
TL192-8M-85	3525		85	GG	9A	488.92	487.55	—	190	460	95	65	15.0	28.50

Note: GG = Cast Iron.

14M HTD® Pulleys - Taper Bushed



14 mm HTD® x 40, 55, 85, 115 and 170 mm Belt Widths

Part No. TL36-14M-40

Where: TL = Taper Bushed Version

36 = No. of Teeth

14M = Pitch (5, 8 and 14mm)

40 = Width of belt (40, 55, 85, 115, 170)

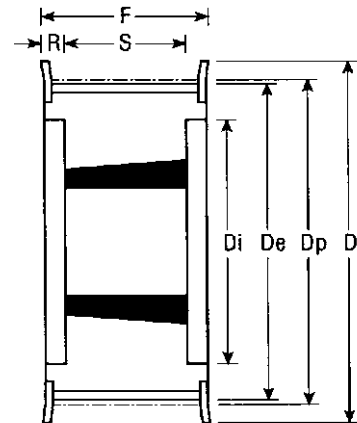


Fig 4F

Dimensions in mm

Part No.	Bushing	Teeth	Belt Width	Material	Figure	Dp	De	Df	Dm	Di	F	S	R	Wt. kg
TL28-14M-40	2012	28	40	GG	4F	124.78	122.12	127	—	98	54	32	11.0	2.07
TL28-14M-55	2012		55	GG	4F	124.78	122.12	127	—	98	70	32	19.0	2.20
TL28-14M-85*	2517		85	GG	4F	124.78	122.12	127	—	98	102	45	28.5	2.70
TL28-14M-115*	2517		115	GG	4F	124.78	122.12	127	—	98	133	45	44.0	3.77
TL29-14M-40	2012	29	40	GG	4F	129.23	126.57	138	—	100	54	32	11.0	2.38
TL29-14M-55	2012		55	GG	4F	129.23	126.57	138	—	100	70	32	19.0	2.74
TL29-14M-85*	2517		85	GG	4F	129.23	126.57	138	—	100	102	45	28.5	3.40
TL29-14M-115*	2517		115	GG	4F	129.23	126.57	138	—	100	133	45	44.0	4.00
TL30-14M-40	2012	30	40	GG	4F	133.69	130.99	138	—	100	54	32	11.0	2.65
TL30-14M-55*	2517		55	GG	4F	133.69	130.99	138	—	100	70	45	12.5	2.70
TL30-14M-85*	2517		85	GG	4F	133.69	130.99	138	—	100	102	45	28.5	3.75
TL30-14M-115*	2517		115	GG	4F	133.69	130.99	138	—	100	133	45	44.0	5.00
TL32-14M-40	2012	32	40	GG	4F	142.60	139.88	154	—	104	54	32	11.0	3.40
TL32-14M-55*	2517		55	GG	4F	142.60	139.88	154	—	108	70	45	12.5	3.66
TL32-14M-85*	2517		85	GG	4F	142.60	139.88	154	—	108	102	45	28.5	4.80
TL32-14M-115*	2517		115	GG	4F	142.60	139.88	154	—	108	133	45	44.0	6.80
TL34-14M-40*	2517	34	40	GG	4F	151.52	148.79	160	—	110	54	45	4.5	3.87
TL34-14M-55*	2517		55	GG	4F	151.52	148.79	160	—	110	70	45	12.5	4.55
TL34-14M-85*	2517		85	GG	4F	151.52	148.79	160	—	110	102	45	28.5	6.00
TL34-14M-115*	2517		115	GG	4F	151.52	148.79	160	—	110	133	45	44.0	6.80
TL36-14M-40*	2517	36	40	GG	4F	160.43	157.68	168	—	120	54	45	4.5	4.80
TL36-14M-55*	2517		55	GG	4F	160.43	157.68	168	—	120	70	45	12.5	5.20
TL36-14M-85	3020		85	GG	4F	160.43	157.68	168	—	125	102	51	25.5	5.80
TL36-14M-115	3020		115	GG	4F	160.43	157.68	168	—	125	133	51	41.0	7.00
TL38-14M-40*	2517	38	40	GG	4F	169.34	166.60	183	—	130	54	45	4.5	5.40
TL38-14M-55*	2517		55	GG	4F	169.34	166.60	183	—	130	70	45	12.5	6.20
TL38-14M-85	3020		85	GG	4F	169.34	166.60	183	—	130	102	51	25.5	6.80
TL38-14M-115	3020		115	GG	4F	169.34	166.60	183	—	130	133	51	41.0	8.40
TL38-14M-170	3030		170	GG	4F	169.34	166.60	183	—	130	187	76	55.5	11.70
TL40-14M-40*	2517	40	40	GG	4F	178.25	175.49	188	—	138	54	45	4.5	6.00
TL40-14M-55*	2517		55	GG	4F	178.25	175.49	188	—	138	70	45	12.5	7.00
TL40-14M-85	3020		85	GG	4F	178.25	175.49	188	—	138	102	51	25.5	8.00
TL40-14M-115	3020		115	GG	4F	178.25	175.49	188	—	140	133	51	41.0	9.20
TL40-14M-170	3030		170	GG	4F	178.25	175.49	188	—	140	187	76	55.5	13.00

Note: GG = Cast Iron. * Requires TL Bushing with BSW screws.

14M HTD® Pulleys - Taper Bushed

14 mm HTD® x 40, 55, 85, 115 and 170 mm Belt Width



Part No. TL48-14M-115

Where: TL = Taper Bushed Version

48 = No. of Teeth

14M = Pitch (5, 8 and 14mm)

115 = Width of belt (40, 55, 85, 115, 170)

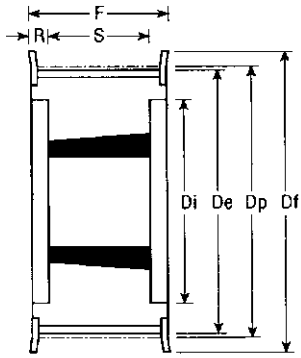


Fig 4F

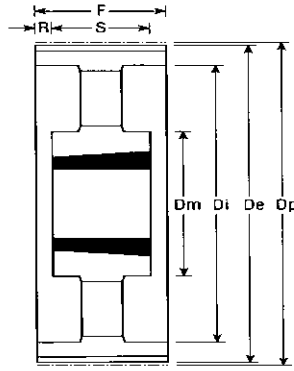


Fig 9A

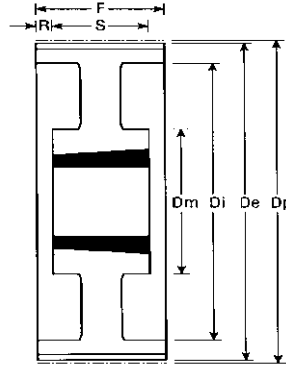


Fig 9W

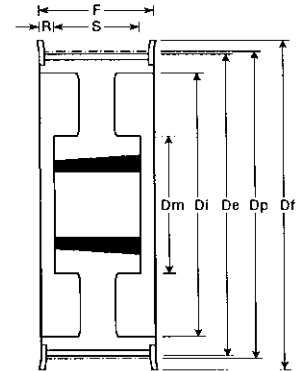


Fig 4WF/9WF

Dimensions in mm

Part No.	Bushing	Teeth	Belt Width	Material	Figure	Dp	De	Df	Dm	Di	F	S	R	Wt. kg
TL44-14M-40	3020	44	40	GG	4F	196.08	193.28	211	—	155	54	51	1.5	7.80
TL44-14M-55	3020		55	GG	4F	196.08	193.28	211	—	155	70	51	9.5	8.60
TL44-14M-85	3030		85	GG	4F	196.08	193.28	211	—	155	102	76	13.0	11.80
TL44-14M-115	3030		115	GG	4F	196.08	193.28	211	—	155	133	76	28.5	14.00
TL44-14M-170*	3535		170	GG	4F	196.08	193.28	211	—	155	187	89	49.0	15.00
TL48-14M-40	3020	48	40	GG	4F	213.90	211.11	226	—	170	54	51	1.5	9.40
TL48-14M-55	3020		55	GG	4F	213.90	211.11	226	—	170	70	51	9.5	10.40
TL48-14M-85	3030		85	GG	4F	213.90	211.11	226	—	170	102	76	13.0	15.10
TL48-14M-115	3030		115	GG	4F	213.90	211.11	226	—	170	133	76	28.5	17.10
TL48-14M-170*	3535		170	GG	4F	213.90	211.11	226	—	175	187	89	49.0	19.00
TL56-14M-40	3020	56	40	GG	9WF	249.55	246.76	256	170	208	54	51	1.5	10.80
TL56-14M-55	3020		55	GG	9WF	249.55	246.76	256	170	208	70	51	9.5	12.00
TL56-14M-85*	3525		85	GG	4F	249.55	246.76	256	190	210	102	65	18.5	19.00
TL56-14M-115*	3535		115	GG	4F	249.55	246.76	256	—	210	133	89	22.0	24.80
TL56-14M-170*	3535		170	GG	4F	249.55	246.76	256	—	210	187	89	49.0	28.50
TL64-14M-40	3020	64	40	GG	9WF	285.21	282.41	296	170	242	54	51	1.5	13.40
TL64-14M-55	3020		55	GG	9WF	285.21	282.41	296	170	242	70	51	9.5	14.50
TL64-14M-85*	3525		85	GG	9WF	285.21	282.41	296	190	242	102	65	18.5	23.00
TL64-14M-115*	3535		115	GG	9WF	285.21	282.41	296	190	242	133	89	22.0	27.00
TL64-14M-170	4040		170	GG	4F	285.21	282.41	296	—	240	187	102	42.5	41.00
TL72-14M-40	3020	72	40	GG	9W	320.86	318.06	—	170	280	54	51	1.5	15.20
TL72-14M-55	3020		55	GG	9W	320.86	318.06	—	170	280	70	51	9.5	16.20
TL72-14M-85*	3525		85	GG	9W	320.86	318.06	—	190	280	102	65	18.5	25.00
TL72-14M-115*	3535		115	GG	9W	320.86	318.06	—	190	280	133	89	22.0	29.00
TL72-14M-170	4040		170	GG	9W	320.86	318.06	—	230	280	187	102	42.5	46.90
TL80-14M-40	3020	80	40	GG	9A	356.51	353.71	—	170	315	54	51	1.5	16.00
TL80-14M-55	3020		55	GG	9A	356.51	353.71	—	170	315	70	51	9.5	17.50
TL80-14M-85*	3525		85	GG	9A	356.51	353.71	—	190	315	102	65	18.5	26.00
TL80-14M-115*	3535		115	GG	9A	356.51	353.71	—	190	315	133	89	22.0	32.00
TL80-14M-170	4040		170	GG	9W	356.51	353.71	—	230	315	187	102	42.5	48.00

Note: GG = Cast Iron. * Requires TL Bushing with BSW screws.

14M HTD® Pulleys - Taper Bushed



14 mm HTD® x 40, 55, 85, 115 and 170 mm Belt Widths

Part No. TL144-14M-40

Where: TL = Taper Bushed Version

144 = No. of Teeth

14M = Pitch (5, 8 and 14mm)

40 = Width of belt (40, 55, 85, 115, 170)

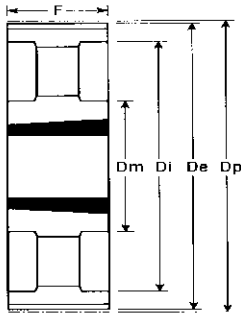


Fig 3A

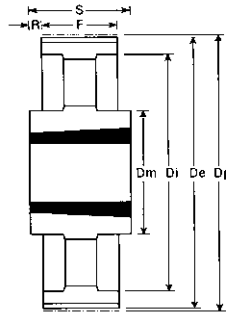


Fig 7A

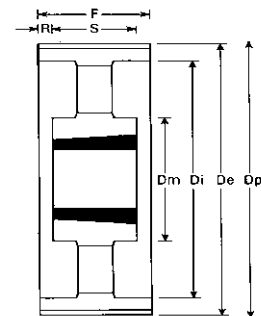


Fig 9A

Dimensions in mm

Part No.	Bushing	Teeth	Belt Width	Material	Figure	Dp	De	Df	Dm	Di	F	S	R	Wt. kg
TL90-14M-40	3020	90	40	GG	9A	401.07	398.28	—	170	360	54	51	1.5	17.80
TL90-14M-55	3020		55	GG	9A	401.07	398.28	—	170	360	70	51	9.5	20.10
TL90-14M-85	3525		85	GG	9A	401.07	398.28	—	190	360	102	65	18.5	27.80
TL90-14M-115	3535		115	GG	9A	401.07	398.28	—	190	360	133	89	22.0	36.50
TL90-14M-170	4040		170	GG	9A	401.07	398.28	—	230	360	187	102	42.5	52.50
TL112-14M-40	3020	112	40	GG	9A	499.11	496.32	—	170	457	54	51	1.5	25.60
TL112-14M-55	3020		55	GG	9A	499.11	496.32	—	170	457	70	51	9.5	28.40
TL112-14M-85	3525		85	GG	9A	499.11	496.32	—	190	457	102	65	18.5	36.50
TL112-14M-115	3535		115	GG	9A	499.11	496.32	—	190	457	133	89	22.0	46.00
TL112-14M-170	5050		170	GG	9A	499.11	496.32	—	265	456	187	127	30.0	74.50
TL144-14M-40	3020	144	40	GG	9A	641.71	638.92	—	170	600	54	51	1.5	32.00
TL144-14M-55	3020		55	GG	9A	641.71	638.92	—	170	600	70	51	9.5	36.20
TL144-14M-85	3525		85	GG	9A	641.71	638.92	—	190	600	102	65	18.5	48.00
TL144-14M-115	4040		115	GG	9A	641.71	638.92	—	230	600	133	102	15.5	68.00
TL144-14M-170	5050		170	GG	9A	641.71	638.92	—	265	600	187	127	30.0	91.00
TL168-14M-40	3020	168	40	GG	9A	748.66	745.87	—	170	706	54	51	1.5	44.00
TL168-14M-55	3020		55	GG	9A	748.66	745.87	—	170	706	70	51	9.5	49.00
TL168-14M-85	3525		85	GG	9A	748.66	745.87	—	190	706	102	65	18.5	60.00
TL168-14M-115	4040		115	GG	9A	748.66	745.87	—	230	706	133	102	15.5	82.60
TL168-14M-170	5050		170	GG	9A	748.66	745.87	—	265	706	187	127	30.0	116.0
TL192-14M-40	3020	192	40	GG	9A	855.62	852.82	—	170	813	54	51	1.5	49.00
TL192-14M-55	3020		55	GG	9A	855.62	852.82	—	170	813	70	51	9.5	53.00
TL192-14M-85	4040		85	GG	3A	855.62	852.82	—	230	813	102	102	—	86.00
TL192-14M-115	4040		115	GG	9A	855.62	852.82	—	230	813	133	102	15.5	96.00
TL192-14M-170	5050		170	GG	9A	855.62	852.82	—	265	813	187	127	30.0	134.0
TL216-14M-40	3020	216	40	GG	9A	962.57	959.76	—	170	920	54	51	1.5	55.00
TL216-14M-55	3535		55	GG	7A	962.57	959.76	—	190	920	70	89	9.5	65.80
TL216-14M-85	4040		85	GG	3A	962.57	959.76	—	230	920	102	102	—	91.50
TL216-14M-115	4040		115	GG	9A	962.57	959.76	—	230	920	133	102	15.5	107.00
TL216-14M-170	5050		170	GG	9A	962.57	959.76	—	265	920	187	127	30.0	146.50

Note: GG = Cast Iron.