

# Metric Rod Ends

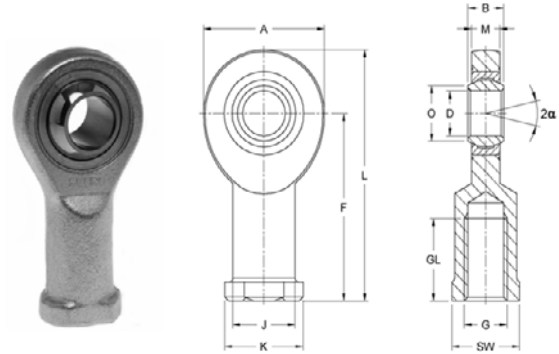
## EI..D Type



- Steel-Zinc Plated
- Maintenance Free
- Right & Left Hand-Internal Threads
- Suited for High Uni-directional Loads and Narrow Width

**Housing:** Up to size 10 turned, from free-cutting steel to 9SMnPb28K, 12L13  
From size 12 forged, from heat-treated steel to C45, Aisi 1045

**Bearing:** maintenance free steel / PTFE bearing GE...EC  
From size 20 available sealed from both sides (-2RS)  
From size 35 only available sealed from both sides (-2RS)  
Size 20,25 & 30 available with or without 2RS Seals  
Size 35 and larger all with 2RS Seals



Right Hand Part No.	Left Hand Part No.	Size D	Dimensions (mm)											Static Load C <sub>0</sub> kN	Dynamic Load C kN	Max Speed RPM	Wt. g
			B	M	A	F	L	K	J	O	SW	G	GL				
EI 6 D	EIL 6 D	6	6	4.4	20	30	40.0	13	10.0	8.0	11	M6 x 1	12	10.3	3.6	13	21
EI 8 D	EIL 8 D	8	8	6.0	24	36	48.0	16	12.5	10.2	14	M8 x 1.25	16	15.8	5.8	15	38
EI 10 D	EIL10 D	10	9	7.0	28	43	57.0	19	15.0	13.2	17	M10 x 1.5	20	23.4	8.6	12	60
EI 12 D	EIL 12 D	12	10	8.0	34	50	67.0	22	17.5	14.9	19	M12 x 1.75	23	31.0	11.5	11	96
EI 15 D	EIL 15 D	15	12	10.0	40	61	81.0	26	21.0	18.4	22	M14 x 2	29	42.5	17.5	8	180
EI 16 D	EIL 16 D	16	14	11.0	46	67	90.0	30	24.0	20.7	27	M16 x 2	33	54.5	22.5	10	220
EI 17 D	EIL 17 D	17	14	11.0	46	67	90.0	30	24.0	20.7	27	M16 x 2	33	54.5	22.5	10	220
EI 20 D (-2RS)*	EIL 20 D (-2RS)*	20	16	13.0	53	77	103.5	35	27.5	24.2	32	M20 x 1.5	40	62.5	31.5	9	350
EI 25 D (-2RS)*	EIL 25 D (-2RS)*	25	20	17.0	64	94	126.0	42	33.5	29.3	36	M24 x 2	48	92.0	51.0	7	640
EI 30 D (-2RS)*	EIL 30 D (-2RS)*	30	22	19.0	73	110	146.5	50	40.0	34.2	41	M30 x 2	56	124.0	66.0	6	930
EI 35 D	EIL 35 D	35	25	21.0	82	125	166.0	58	47.0	39.8	50	M36 x 3	60	144.0	140.0	6	1300
EI 40 D	EIL 40 D	40	28	23.0	92	142	188.0	65	52.0	45.0	55	M39 x 3	65	178.0	185.0	7	2000

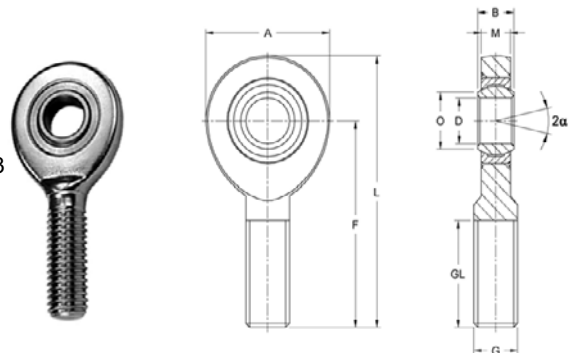
Note: Size 45,50,60,70 and 80mm units available on request. \*Available with and without 2RS Seals

## EA..D Type

- Steel-Zinc Plated
- Maintenance Free
- Right & Left Hand-External Threads
- Suited for High Uni-directional Loads and Narrow Width

**Housing:** Up to size 10 turned, from free-cutting steel to 9SMnPb28K, 12L13  
From size 12 forged, from heat-treated steel to C45, Aisi 1045

**Bearing:** maintenance free steel / PTFE bearing GE...EC  
From size 20 available sealed from both sides (-2RS)  
From size 35 only available sealed from both sides (-2RS)  
Size 20,25 & 30 available with or without 2RS Seals  
Size 35 and larger all with 2RS Seals



Right Hand Part No.	Left Hand Part No.	Size D	Dimensions (mm)								Static Load C <sub>0</sub> kN	Dynamic Load C kN	Max Speed RPM	Wt. g
			B	M	A	F	L	O	G	GL				
EA 6 D	EAL 6 D	6	6	4.4	20	36	46.0	8.0	M6	18	6.9	3.6	13	16
EA 8 D	EAL 8 D	8	8	6.0	24	42	54.0	10.2	M8 x 1.25	22	12.7	5.8	15	28
EA 10 D	EAL10 D	10	9	7.0	28	48	62.0	13.2	M10 x 1.5	26	19.9	8.6	12	50
EA 12 D	EAL 12 D	12	10	8.0	34	54	71.0	14.9	M12 x 1.75	28	29.0	11.5	11	86
EA 15 D	EAL 15 D	15	12	10.0	40	63	83.0	18.4	M14 x 2	34	39.5	17.5	8	140
EA 16 D	EAL 16 D	16	14	11.0	46	69	92.0	20.7	M16 x 2	36	54.0	22.5	10	190
EA 17 D	EAL 17 D	17	14	11.0	46	69	92.0	20.7	M16 x 2	36	54.0	22.5	10	190
EA 20 D (-2RS)*	EAL 20 D (-2RS)*	20	16	13.0	53	78	104.5	24.2	M20 x 1.5	43	62.5	31.5	9	320
EA 25 D (-2RS)*	EAL 25 D (-2RS)*	25	20	17.0	64	94	126.0	29.3	M24 x 2	43	92.0	51.0	7	560
EA 30 D (-2RS)*	EAL 30 D (-2RS)*	30	22	19.0	73	110	146.5	34.2	M30 x 2	65	124.0	66.0	6	890
EA 35 D	EAL 35 D	35	25	21.0	82	140	181.0	39.8	M36 x 3	82	144.0	140.0	6	1400
EA 40 D	EAL 40 D	40	28	23.0	92	150	196.0	45.0	M39 x 3	86	178.0	185.0	7	1800

Note: Size 45,50,60,70 and 80mm units available on request. \*Available with and without 2RS Seals.