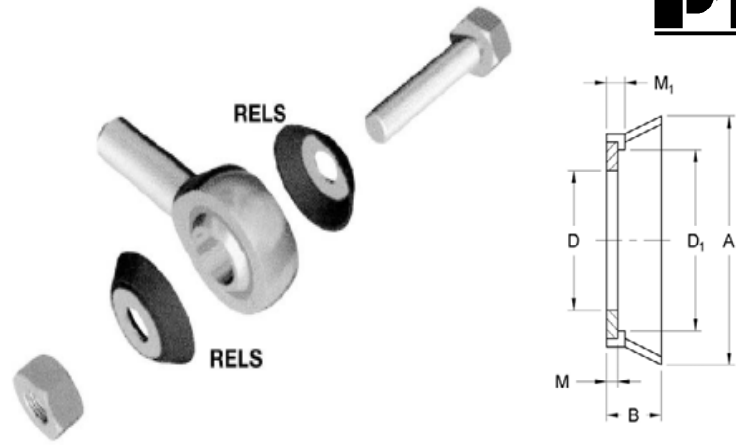


Rod End Seals

RELS Series

Rubber Seals Vulcanized
to Stainless Steel Washer

Helps to prevent contamination of the bearing
Max temp 230°F (110°C)



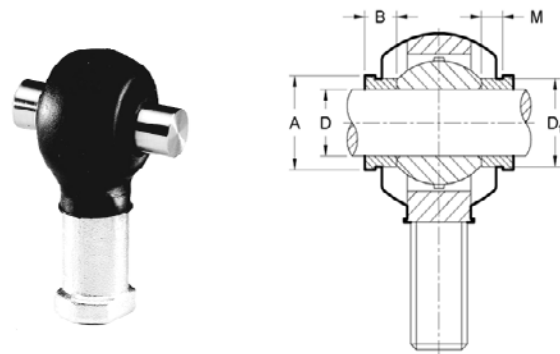
Washer Seal Part No.	Shaft Size mm	D	D1	B	M	M1	A
RELS 5	5	5.25	8.3	2.4	0.5	0.8	11.2
RELS 6	6	6.25	9.5	3.1	0.7	0.9	12.7
RELS 8	8	8.25	12.4	5.1	1.2	1.4	17.8
RELS 10	10	10.25	13.5	5.6	1.2	1.4	20.3
RELS 12	12	12.25	18.5	6.4	1.2	1.7	28.6
RELS 14	14	14.25	18.5	6.4	1.2	1.7	28.6
RELS 16	16	16.25	22.4	6.8	1.2	1.7	31.7
RELS 18	18	18.25	22.6	8.3	1.2	1.7	32.7
RELS 20	20	20.25	25.2	10.2	1.2	1.7	38.1
RELS 25	25	25.25	33.8	12.7	1.5	2.3	53.3
RELS 30	30	30.25	55.9	14.0	1.5	2.3	56.7

Note: Part number includes a pair, one for each side.

Rod End Protector Caps

RERS Series

Neoprene Protector Caps
Protects Against Dust & Chemicals
Temp Range -4°F to +248°F (-20°C to 120°C)
Easy Mounting with Retaining Ring Pliers



Rubber Protector Cap Part No.	Spacer Part No.	Rod End Size	D	D1	B	M	A
RERS 1	DR 6	6	6	8.7	6	4	11
RERS 1	DR 8	8	8	10.3	6	4	12
RERS 2	DR 10	10	10	12.5	6	4	14
RERS 2	DR 12	12	12	15.0	8	6	17
RERS 3	DR 14	14	14	16.8	8	6	19
RERS 3	DR 16	16	16	19.0	8	6	21
RERS 3	DR 18	18	18	21.8	8	6	25
RERS 4	DR 20	20	20	24.3	10	8	28
RERS 4	DR 22	22	22	25.7	10	8	29
RERS 4	DR 25	25	25	29.7	10	8	33
RERS 5	—	30	—	—	—	—	—
RERS 5	—	35	—	—	—	—	—